

VALVE COMMUNICATION AND CONTROL

EXPLOSIONPROOF LINEAR POINT SENSOR

HAWKEYE
HX

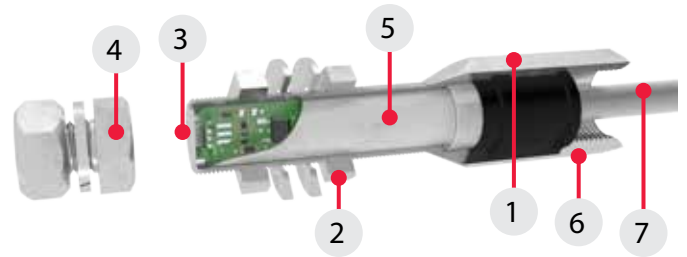




Hawkeye HX

Rugged, corrosion proof for all hazardous locations

The explosionproof Hawkeye, with its stainless steel enclosure, is designed for service in harsh process environments. It features a solid state proximity sensor which is encased in a shock absorbent urethane potting material. Outputs for universal switching or NAMUR (EN 60947-5-6; I.S.) are standard options.



Features

1. **316 stainless steel enclosure** is extremely durable and corrosion resistant.
2. **Stainless steel washers and fasteners** included with HX enable secure vibration resistant mounting.
3. **Solid state magnetic sensor** detects trigger at distances up to 6 mm (extended sensing range also available).
4. **Magnetic trigger is embedded** and sealed with a wide-temperature corrosion-resistant urethane in the included stainless steel bolt.
5. **Sensor electronics are urethane sealed** in a module which is additionally sealed within the stainless steel enclosure assuring high tolerance to shock and vibration.
6. **All conduit/connector options (1/2" NPT, M20 and cable gland)** are available with standard 6-foot cord lengths allowing flexible wiring options.
7. **No seal offs are required** with explosionproof conduit systems, reducing installation costs.
8. **Suitable for most hazardous locations** explosionproof, flame proof Div 1/Zone 1; intrinsically safe Div 1/Zone 0.



Sensor specifications

SST switching sensor (35)

Configuration	(1) SST magnetic solid state sensor
Operations	Normally open (NO) <i>for Normally closed (NC), consult factory</i>
Maximum current inrush	1.0 amp
Maximum current continuous	0.1 amp
Maximum leakage current	0.25 mA (VAC) 0.15 mA (VDC)
Voltage range	20 - 250 VAC 8 - 250 VDC
Maximum voltage drop	6.5 volts @ 10 mA 7.2 volts @ 100 mA

Wiring diagram (35) normally open

NAMUR sensor (45)

Configuration	(1) NAMUR sensor (EN 60947-5-6; I.S.)
Operation	Normally closed (NC) NAMUR sensor (solid state)
Voltage range	5 - 29 VDC
Current ratings	Target on I < 1 mA Target off I > 3 mA

Wiring diagram (45)

Ratings

Explosionproof <i>(Ex d, Zone 1 or Class I and II, Div. 1)</i>	All models*
Intrinsically safe <i>(Ex ia, Zone 0 or Class I and II, Div. 1)</i>	Function 45*

Enclosure protection

NEMA	4, 4X and 6 (all models)
Ingress Protection	IP66/68

Approvals*

See StoneL.com/approvals

* Only models listed on StoneL's official web site are approved per specific rating.

Model selector

SERIES
HX Explosionproof Hawkeye

FUNCTION
35 SST 240V sensor (NO type sensor)
45 NAMUR sensor (EN 60947-5-6; I.S.)

ENCLOSURE
S Stainless steel North American (NEC/CEC)
T Stainless steel International (IEC)

CONDUIT/CONNECTORS
01 (1) ½" - 14-NPT
02 (1) M20 x 1.5
03 Cable gland (Ex d) [select enclosure option "T"]

FEATURES
SM Standard

Model number example
HX 35 S 01 SM - OPTIONAL

MODEL NUMBER **PARTNERSHIP ID**

Mounting hardware required and sold separately. Some models may include 5-digit identification suffix.

Specifications

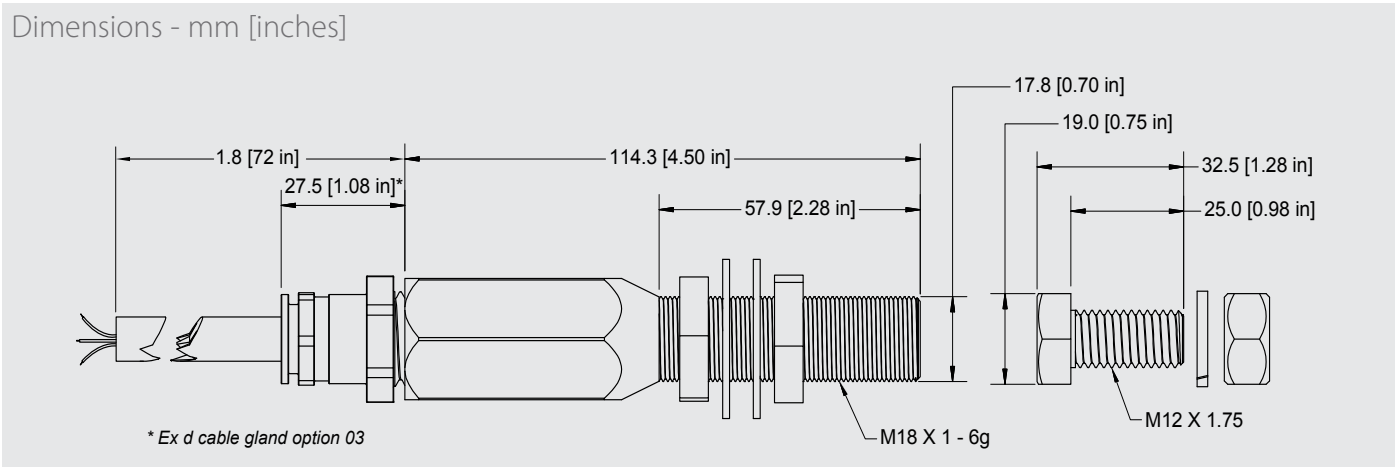
Materials of construction

Enclosure and fasteners	316 stainless steel
Trigger	316 stainless steel and urethane

Other specifications*

Conduit connection	½" NPT or M20
Wiring	72" (1.8 meters) length 18 gauge multi-strand in a single jacket ITC and PLTC rated
Sensing distance	4-6 mm <i>Extended range available</i>
Temperature range	-40° C to 80° C (-40° F to 176° F) <i>Consult factory for ultra-cold temperature</i>
Warranty	Five years

* Detailed technical specifications available in the installation manual available on StoneL's official web site. Consult factory for additional specifications.



Metso Flow Control Inc.

Europe, Vanha Porvoontie 229, P.O. Box 304, FI-01301 VANTAA, Finland.
Tel. +358 20 483 150. Fax +358 20 483 151

North America, 26271 US Hwy 59, Fergus Falls, MN 56537, USA.
Tel. +1 218 739 5774. Fax +1 218 739 5776

South America, Av. Independência, 2500- Iporanga, 18087-101, Sorocaba-São Paulo, Brazil.
Tel. +55 15 2102 9700. Fax +55 15 2102 9748/49

Asia Pacific, Haw Par Centre #06-01, 180 Clemenceau Avenue, Singapore 239922.
Tel. +65 6511 1011. Fax +65 6250 0830

China, 11/F, China Youth Plaza, No.19 North Rd of East 3rd Ring Rd, Chaoyang District,
Beijing 100020, China. Tel. +86 10 6566 6600. Fax +86 10 6566 2583.

Middle East, Roundabout 8, Unit AB-07, P.O. Box 17175, Jebel Ali Freezone, Dubai,
United Arab Emirates. Tel. +971 4 883 6974. Fax +971 4 883 6836

www.metso.com/valves

Subject to change without prior notice.

