

# Cone crusher Nordberg® GP220™

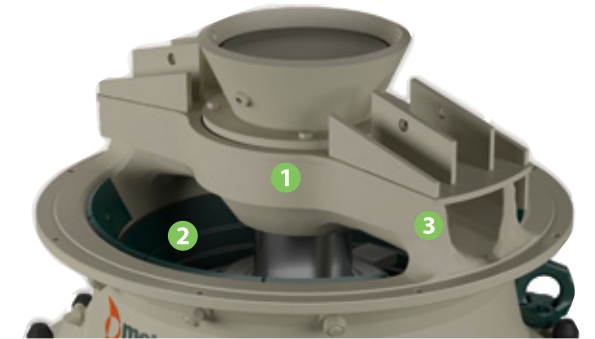




**Technical specification**

<b>Nominal power</b>	220 kW (300 HP)
<b>Feed opening</b>	213 mm (8 3/8")
<b>Weight</b>	10 200 kg (22 500 lbs)
<b>Strokes</b>	18, 25, 28, 32, 36, 40 mm (11/16, 1, 1 7/64, 1 1/4, 1 13/32, 1 9/16")
<b>Cavities</b>	EF, F, MF, M, C, EC, EC-LS / EC-TR

- 1 Wear-resistant steel plates for frame protection
- 2 Excellent feed opening area in its size-class
- 3 U-shaped arm design, easy access for maintenance



# Cone crusher Nordberg GP220

The Nordberg GP220 cone crusher has been engineered without compromise to withstand any quarry or mining application. It comes with as standard significantly improved features and benefits, making it the leading crusher within its size-class.

## Safe to operate and maintain

The GP220 cone crusher is safe and easy to operate and maintain. The limited number of service points are accessed safely and with ease. As with all GP cones the GP220 is supplied with all tools required for safe maintenance work. Process control is based on Metso's own advanced IC50C automation, providing easy, safe and trouble-free operation.

## High versatility

The GP220 is robustly constructed to operate effectively in the most arduous hard rock crushing sites and applications. The crusher cavity and stroke can be altered according to the application requirements to achieve high capacity, top end product quality as well as low wear part cost. All installation requirements can be met with a wide selection of options. The latest option added is a full steel structure with safe service platforms in order to speed up plant erection and to provide excellent environment for maintenance crew.

## Productivity

The customer feedback received from sites all over the world was a major part in the crusher design and development. The crusher cavity, kinematics and operating parameters were defined and optimized to guarantee the excellent productivity for which Metso GP

cone series is renowned and valued. The increased nominal power of 220kW, GP220 cone crusher exceeds clearly typical ratings in its size-class and allows you to produce the same amount of material in 15% less time, than its predecessor.

## Great advantages

The crusher has remarkable high nominal power, effective stroke and cavity range, which really brings great benefits and flexibility to the process. The large feed opening allows the possibility for the GP220 to be used as a secondary crusher as well.

Lower operational costs have been achieved by improving the main shaft vertical adjustment and using thicker liners. This offers not only longer time between liner changes but also better utilization of each set of liners – real savings to the operational cost and bottom line.

- Benefits:**
- Reliability
  - Productivity
  - Easy to install
  - Safety for investment and personnel



- 1 Bolted protection plates for convenient change
- 2 Four (4) pieces of lifting lugs for a safe lifting
- 3 Strong brand for a serious crushing



Metso IC50C process control is easy and safe to use. The process can be started and stopped by pressing one single button. The IC50C controls the feeder and conveyors as well.



**Metso Corporation**, Lokomonkatu 3, P.O. Box 306, FI-33101 Tampere, Finland, tel. +358 20 484 142, fax +358 20 484 143  
[www.metso.com](http://www.metso.com)

Metso, Lokotrack, Nordberg, Barmac and Trellex are trademarks or registered trademarks of Metso Corporation or its subsidiaries or affiliates.  
\*Other names and brands may be claimed as the property of others.