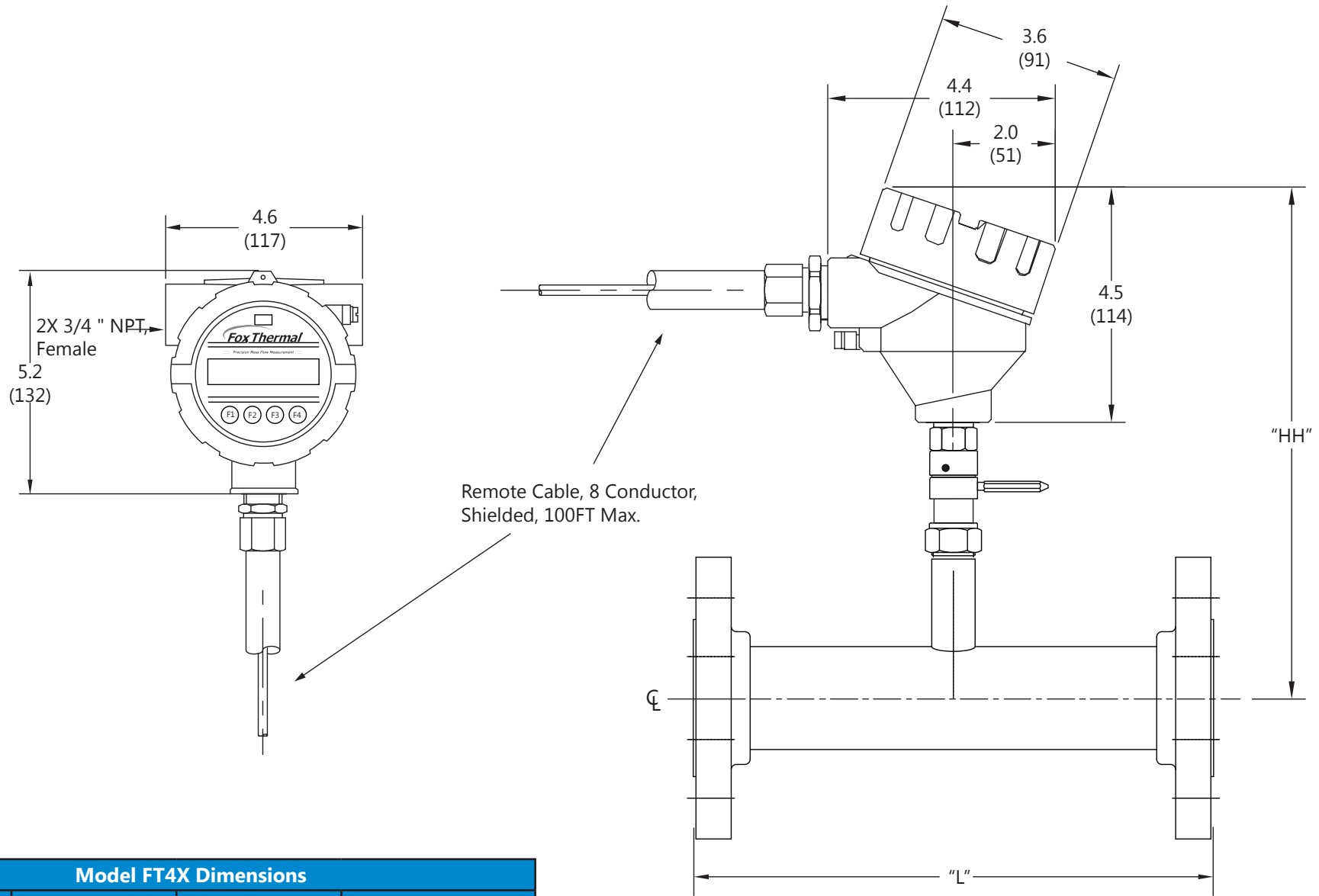


# Model FT4X Flowmeter Dimensional Drawing

Remote Electronics, Inline Style, With 300lb Flanges



Model FT4X Dimensions

Model Code	Body Size	Dimension "L"	Dimension "HH"
15G	1.50"	12"	13.2" (335mm)
20G*	2.00"	12"	13.2" (335mm)
25G*	2.50"	18"	13.2" (335mm)
30G*	3.00"	18"	13.2" (335mm)
40G*	4.00"	18"	13.2" (335mm)
60G*	6.00"	24"	13.2" (335mm)

\*available in A106 Grade B Carbon steel pipe + A105 Flanges (20FC, 25FC, 30FC, 40FC, & 60FC)



399 Reservation Rd  
Marina, CA 93933 USA  
(831) 384-4300  
www.foxthermal.com