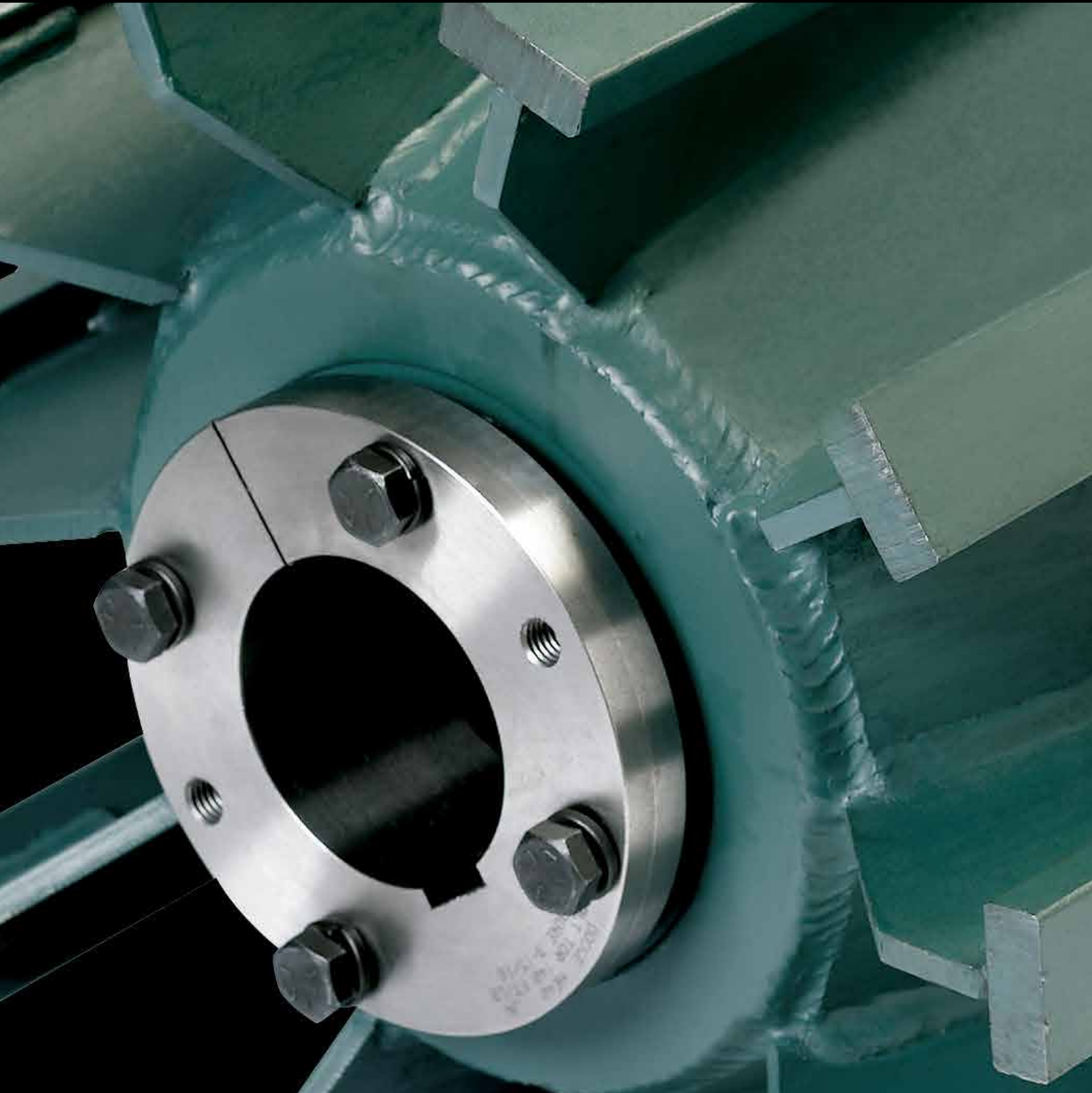
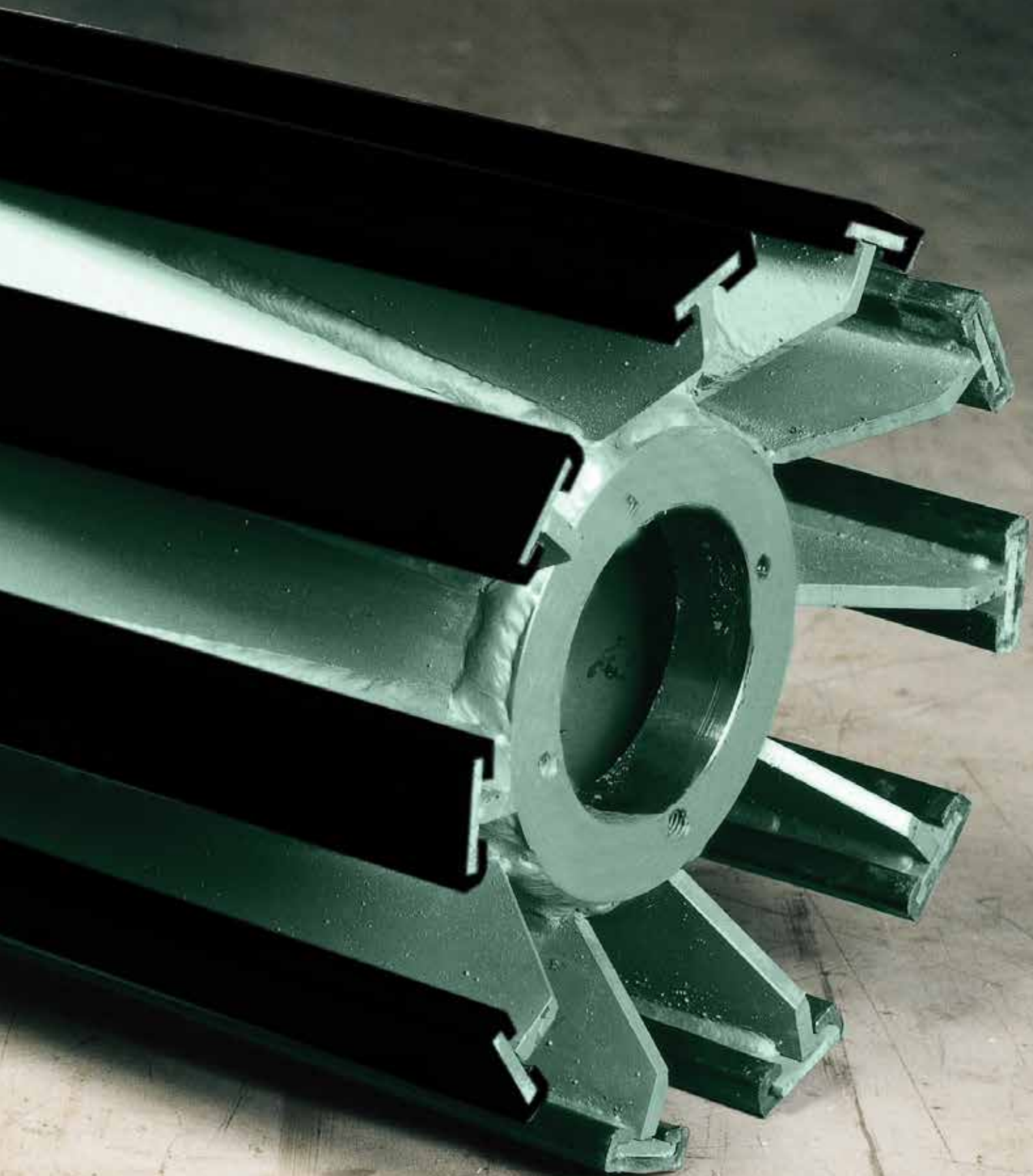


DODGE WING PULLEYS

DODGE[®]



BALDOR[®]
A MEMBER OF THE ABB GROUP

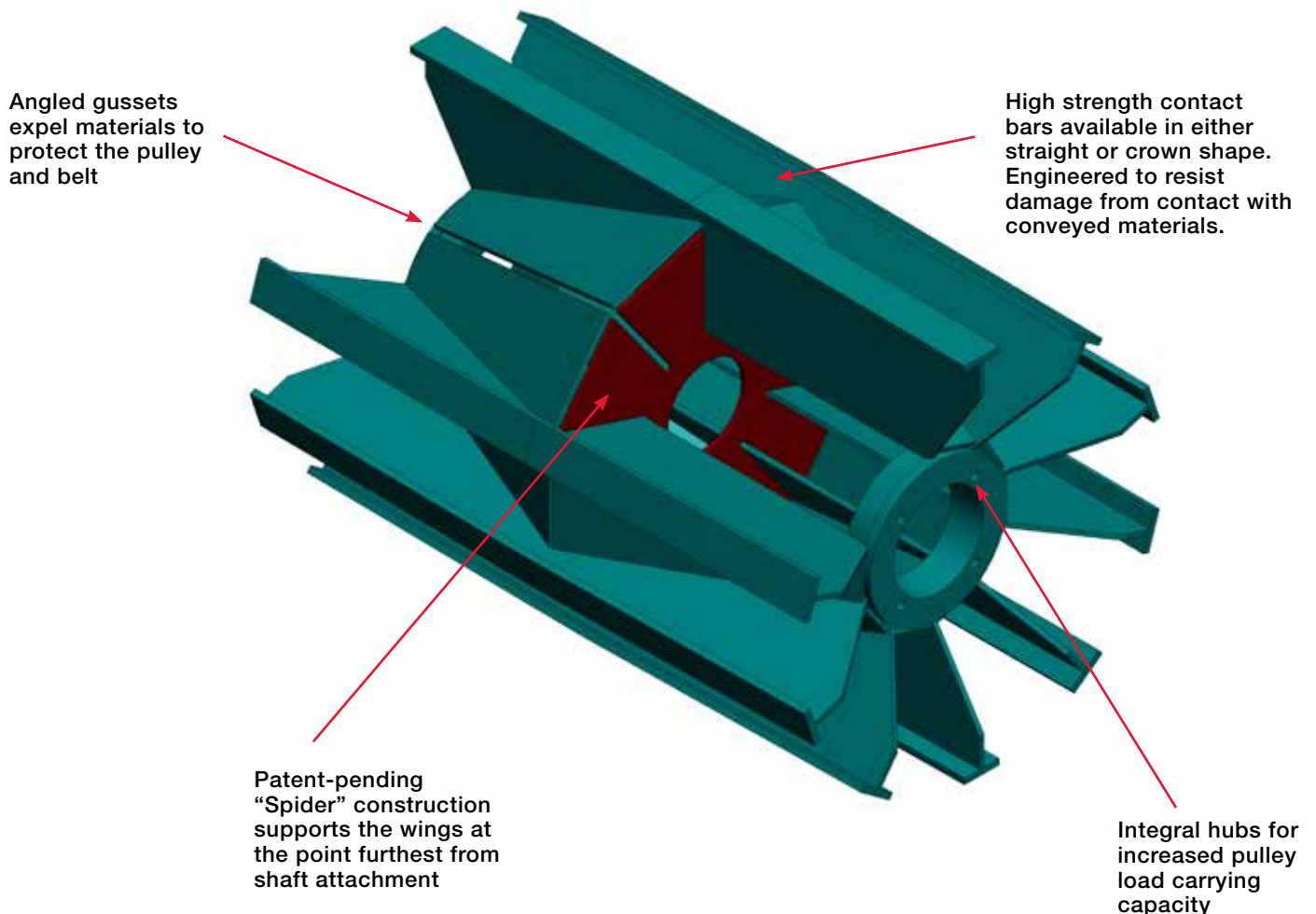


WING PULLEYS

Introducing a rugged new design of Dodge wing pulley

- New patent pending "Spider" construction adds significant strength to the pulley
- The most rigid wing pulley design available
- Resistance to wing folding is dramatically improved
- The "Spider" construction is the new Dodge standard on Heavy Duty, Mine Duty and Mine Duty Extra wing pulleys

Dodge HD wing pulley with new Spider construction



WING PULLEYS

Dodge wing conveyor pulleys expel materials that would otherwise damage the belt or a conventional drum pulley. Our newest designs of Heavy Duty, Mine Duty and Mine Duty Extra wing pulleys are the toughest, longest lasting wing pulleys available.

Heavy Duty Wing Pulleys

- 6" – 60" diameter
- Face widths exceeding 100"
- Common sizes stocked with HE hubs
- Also available with XT, QD or Taper Lock Hubs

Dodge	PPI	CCI/Martin	Superior
Heavy Duty	Heavy Duty	Standard Duty	CEMA

Dodge's newest wing pulley offering is our Mine Duty wing pulley. The Mine Duty design incorporates the proven integral hub with our exclusive HE bushing system.

Mine Duty Wing Pulleys

- 8" – 60" diameter
- Face widths exceeding 100"
- Common sizes stocked with HE hubs
- Also available with XT, QD or Taper Lock hubs

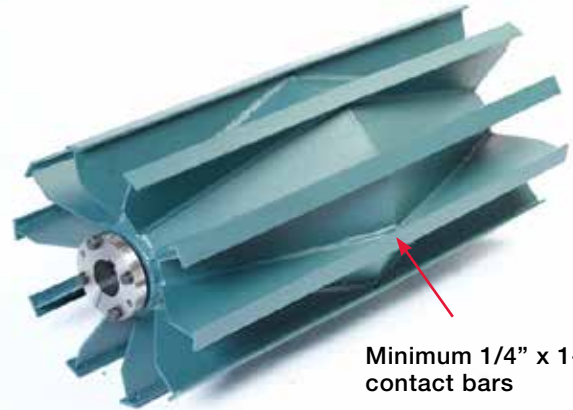
Dodge	PPI	CCI/Martin	Superior
Mine Duty	Mine Duty	Mine Duty	Mine Duty 2.0

Dodge's most rugged design of wing pulley is our Mine Duty Extra wing pulley. The Mine Duty Extra design incorporates the proven integral hub with our exclusive HE bushing.

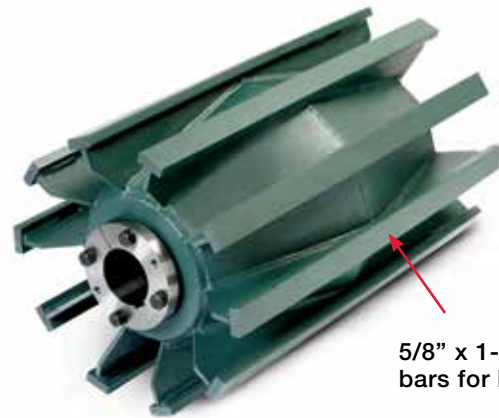
Mine Duty Extra Wing Pulleys

- 10" – 60" diameter
- Face widths exceeding 100"
- HE bushing system
- AR400 contact bars upon request

Dodge	PPI	CCI/Martin	Superior
Mine Duty EXTRA	Quarry Duty	Quarry Duty	Super Duty

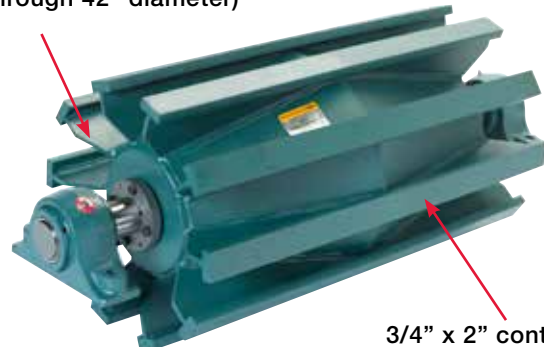


Minimum 1/4" x 1-1/2" contact bars



5/8" x 1-1/2" contact bars for high durability

5" maximum wing height for protection from wing folding (through 42" diameter)

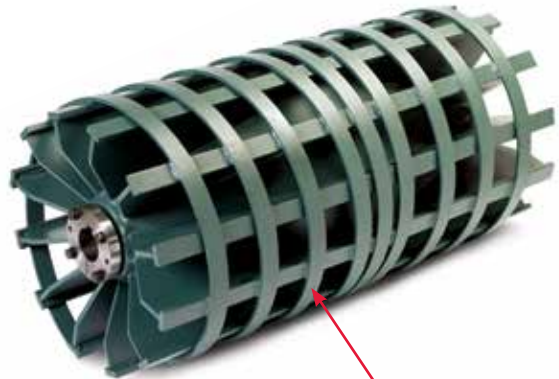


3/4" x 2" contact bars for ultimate durability

Dodge can enhance the performance of our Heavy Duty, Mine Duty or Mine Duty EXTRA wing pulleys with the addition of spirals. Dodge Spiral Wing Pulleys are manufactured with continuous spiral bars for smooth running performance. Spiral wing pulleys are low-impact on belts splices and have the added benefit of not interfering with belt scale operation

Spiral Wing Pulleys

- 6" – 60" diameter
- Face widths exceeding 100"
- Available in Heavy Duty, Mine Duty and Mine Duty Extra designs



Minimum 1/4" x 1-1/2" wide spiral contact bars

Dodge offers either slide-on or vulcanized lagging on Heavy Duty, Mine Duty and Mine Duty EXTRA wing pulleys. Dodge lagged wing pulleys can operate in the most contaminated or abrasive conditions and significantly extend pulley life.

Wing-Lag™ for Heavy Duty Wing Pulleys

- Outlasts rubber lagging with 2-5 times the life
- Durable in extreme temperatures (-60°F to 212°F)
- For 8" thru 60" diameter Heavy Duty wing pulleys
- Available from stock

Vulcanized Lagging

- Rubber is vulcanized directly to the contact bar for slip-free performance
- Available with 45, 60 or 70 durometer SBR rubber
- Optional DLAG premium rubber for ultimate life
- Applies to all sizes of Heavy Duty, Mine Duty or Mine Duty EXTRA wing pulleys



Heavy Duty wing pulley with Wing-Lag

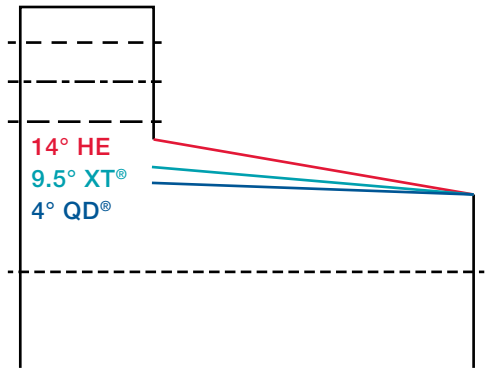
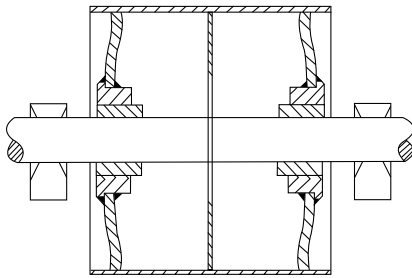
HE BUSHINGS

Dodge HE bushings were designed specifically for conveyor pulley applications. The HE bushing has unique features and a “high endurance” design that is available only from Dodge.

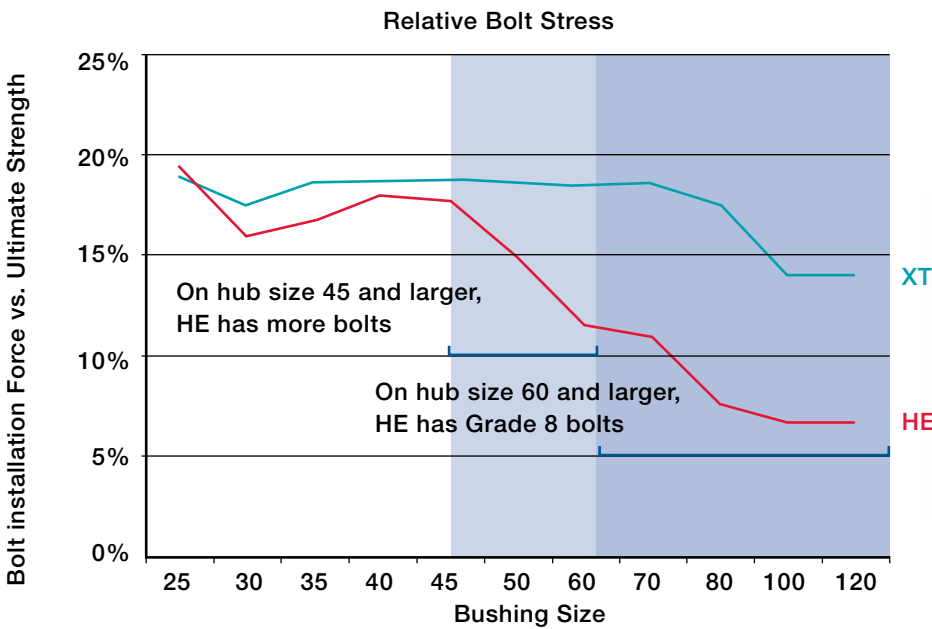
- 14° self-locking taper angle clamps to the shaft faster than any other keyed compression-type bushing
- Full-length split taper for increased shaft locking power
- Grade 8 bolts on HE60 and larger sizes for high performance in demanding applications
- Thicker mounting flanges for increased mounting force

High Strength with Low Installation Stress

The Dodge HE bushing system’s 14 degree taper angle results in the lowest amount of end disc deflection of any tapered bushing system available. This prevents pre-loading stress in welds and significantly extends pulley weld life.



In addition, the HE bushing’s Grade 5 or Grade 8 mounting bolts, when properly installed, experience lower installation stress than competitive bushing bolts. This results in less bolt fractures under cyclical loading.



XT® is a registered trademark of Van Gorp Corp.

QD® is a registered trademark of Emerson Electric Corp.

MINE DUTY WINGS

Mine Duty wing pulleys are a new product in the Dodge wing pulley family. Below are part numbers and an indication of the stock availability on common sizes. For part numbers on Heavy Duty and Mine Duty EXTRA wing pulleys, see the 2010 PT Components Engineering catalog.

Part Number Reference

Diameter	Hub Size	Face Width								
		26	32	36	38	44	51	54	57	63
10	HE25	224666	224668	224670	224672	224674	224676	224678	224680	224682
	HE30	224667	224669	224671	224673	224675	224677	224679	224681	224683
12	HE25	224684	224687	224690	224693	224696	224699	224702	224705	224708
	HE30	224685	224688	224691	224694	224697	224700	224703	224706	224709
	HE35	224686	224689	224692	224695	224698	224701	224704	224707	224710
14	HE25	224711	224714	224717	224720	224723	224726	224729	224732	224735
	HE30	224712	224715	224718	224721	224724	224727	224730	224733	224736
	HE35	224713	224716	224719	224722	224725	224728	224731	224734	224737
16	HE25	224738	224743	224748	224753	224758	224763	224768	224773	224778
	HE30	224739	224744	224749	224754	224759	224764	224769	224774	224779
	HE35	224740	224745	224750	224755	224760	224765	224770	224775	224780
	HE40	224741	224746	224751	224756	224761	224766	224771	224776	224781
	HE45	224742	224747	224752	224757	224762	224767	224772	224777	224782
18	HE25	224783	224788	224793	224798	224803	224808	224813	224818	224823
	HE30	224784	224789	224794	224799	224804	224809	224814	224819	224824
	HE35	224785	224790	224795	224800	224805	224810	224815	224820	224825
	HE40	224786	224791	224796	224801	224806	224811	224816	224821	224826
	HE45	224787	224792	224797	224802	224807	224812	224817	224822	224827
20	HE30	224828	224833	224838	224843	224848	224853	224858	224863	224868
	HE35	224829	224834	224839	224844	224849	224854	224859	224864	224869
	HE40	224830	224835	224840	224845	224850	224855	224860	224865	224870
	HE45	224831	224836	224841	224846	224851	224856	224861	224866	224871
	HE50	224832	224837	224842	224847	224852	224857	224862	224867	224872
24	HE30	-	224873	224878	224883	224889	224895	224901	224907	224913
	HE35	-	224874	224879	224884	224890	224896	224902	224908	224914
	HE40	-	224875	224880	224885	224891	224897	224903	224909	224915
	HE45	-	224876	224881	224886	224892	224898	224904	224910	224916
	HE50	-	224877	224882	224887	224893	224899	224905	224911	224917
	HE60	-	-	-	224888	224894	224900	224906	224912	224918
30	HE35	-	-	-	224919	224924	224929	224934	224939	224944
	HE40	-	-	-	224920	224925	224930	224935	224940	224945
	HE45	-	-	-	224921	224926	224931	224936	224941	224946
	HE50	-	-	-	224922	224927	224932	224937	224942	224947
	HE60	-	-	-	224923	224928	224933	224938	224943	224948
36	HE35	-	-	-	-	224949	224954	224959	224964	224969
	HE40	-	-	-	-	224950	224955	224960	224965	224970
	HE45	-	-	-	-	224951	224956	224961	224966	224971
	HE50	-	-	-	-	224952	224957	224962	224967	224972
	HE60	-	-	-	-	224953	224958	224963	224968	224973

Indicates Standard Stock



P.O. Box 2400, Fort Smith, AR 72902-2400 U.S.A., Ph: (1) 479.646.4711, Fax (1) 479.648.5792, International Fax (1) 479.648.5895

Baldor - Dodge

6040 Ponders Court, Greenville, SC 29615-4617 U.S.A., Ph: (1) 864.297.4800, Fax: (1) 864.281.2433

www.baldor.com