

MECHANICAL POWER TRANSMISSION

# E-Z Kleen<sup>®</sup> and Ultra Kleen<sup>®</sup>

Mounted ball bearings



# Dodge® E-Z Kleen and Ultra Kleen Mounted ball bearings

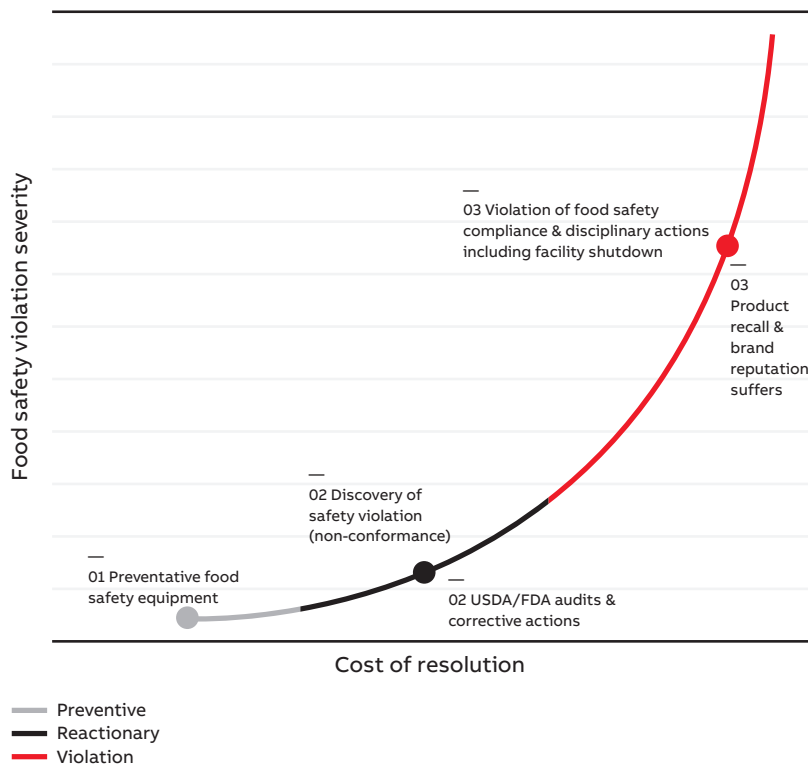
## Food safety compliance demands equipment that can face the challenges of the food and beverage industry

Food safety violations are on the rise, costing companies thousands, if not millions, to resolve; all while posing a health risk to the public and damaging the company’s reputation. This means that all food processing equipment should be designed, used, and maintained with food safety principals in mind. Yet, many products fail prematurely due to corrosion and/or grease washout from the high pressure, caustic washdowns common in achieving the increasingly stringent cleanliness standards.

## Ball bearings designed to perform in food and beverage applications

Dodge E-Z and Ultra Kleen mounted ball bearings feature corrosion resistant materials and solid, smooth housings to eliminate harbor points, lowering your risk of a food inspection violation or recall incident. The bearings utilize a mechanically retained Hydro Armor seal with a stainless steel flinger to provide robust protection against contaminants, while the patented Max Life cage retains lubricant on the rolling element and prevents washout, resulting in longer life. Combine these features with a complete line of stainless and polymer housing offerings, and optional concentric and adapter mounting options, and you have a family of mounted ball bearings that are unsurpassed in the industry.

Dodge Ultra Kleen and E-Z Kleen ball bearings are designed specifically for the food and beverage industry, and meet FDA standards for incidental food contact per regulations FDA 21 CFR 175.300. These products offer an array of features that provide extended life in challenging conditions.



## Engineered for cleanability, longer life and reliable performance

### Housing:

Smooth, solid housing minimizes contamination harbor points to reduce risk of food recall incident.

- Non painted housing avoids paint chips in food.
- Polymer housing features an anti-microbial agent which resists bacterial and fungus growth.

### Max Life cage:

Patented 2 piece cage design creates compartments to hold grease close to the ball track, extending bearing life.

### Insert and hardware material:

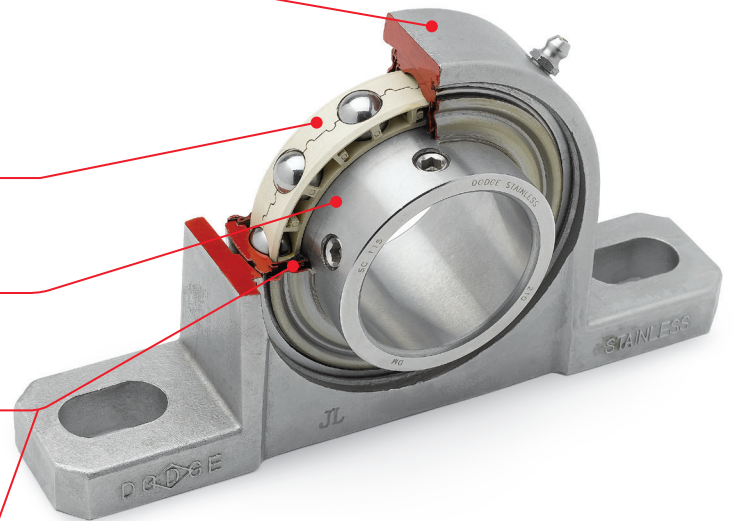
Designed to resist corrosion and minimize risk of food contamination or a recall incident.

### Hydro armor seal:

3 contact lips + stainless steel flinger with lip seal on the outer ring protects against contamination and water ingress.

### Mechanically retained seal:

Stays in place during washdown and prevents blowout during relubrication



### Reduce food recall incidents

- Minimize harbor points and bacteria growth
  - Solid bases
  - Polymer housing - antimicrobial
  - Solid ferrules
  - Smooth housings
- Minimize food contamination
  - Housing material and design - No chips / flakes
  - Metal detectable end cover
  - H1 food grade lubrication (USDA/FDA/NSF approved)
- Corrosion resistant
  - Materials (Housing, insert, hardware)

### Longer life and increased reliability

- Designed for high pressure washdown
  - Hydro Armor seal
  - Max Life cage
- Maintenance friendly design
  - Mechanically retained seal
- 100% grease fill
- Eliminates inner ring failures through superior design and manufacturing

### Design eliminates harbor points

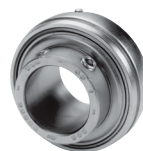


Dodge polymer housings feature a smooth, solid base, and solid ferrules



Competitive bearing with cavities and fillings that can trap bacteria

### 24 hour salt fog test results for EZ Klean inserts:



Dodge corrosion resistant insert



Black oxide



Zinc plating



Thin Dense Chrome (TDC)

# Ultra Kleen ball bearings

## Stainless steel insert

Dodge® Ultra Kleen ball bearings feature a stainless steel insert, available in both stainless and polymer housing options. This insert provides longer life in environments that use cleaning agents known to discolor and corrode coatings.

### Housing styles (polymer & stainless steel):

- Pillow block
- 2-bolt flange
- 4-bolt flange
- Tapped base
- Flanged bracket
- LF / LFT
- Narrow slot take-up
- Wide slot take-up

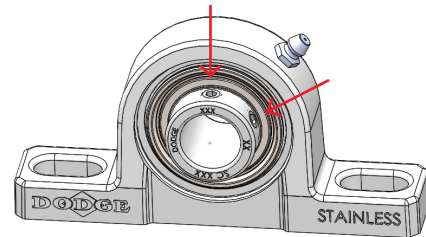
### Bore size range:

- ¾" to 2"
- 20mm to 50mm

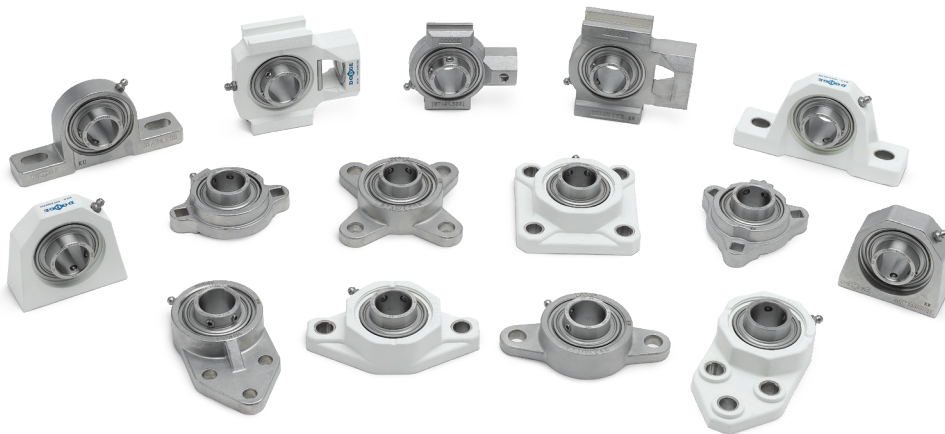
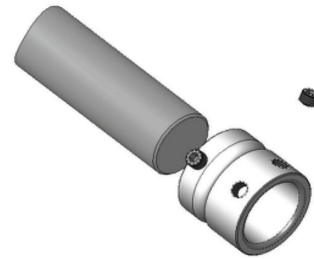
### Locking mechanism options:

- Set screw

### Set screw locking mechanism



65° set screw angle for greater holding power and lower inner ring stress



# E-Z Kleen ball bearings

## Corrosion resistant insert

Dodge® E-Z Kleen ball bearings feature a patented, corrosion resistant (CR) insert that out performs other coatings, such as black oxide, zinc and thin dense chrome (TDC). Tests have shown that the CR insert exhibited 3x longer life than a typical TDC coated insert. E-Z Kleen bearings are offered in three locking mechanisms.

### Housing styles (polymer & stainless steel):

- Pillow block
- 2-bolt flange
- 4-bolt flange
- Tapped base
- Flanged bracket
- LF / LFT
- Narrow slot take-up
- Wide slot take-up

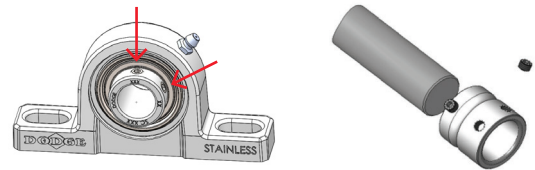
### Bore size range:

- ¾" to 2"
- 20mm to 50mm

### Locking mechanism options:

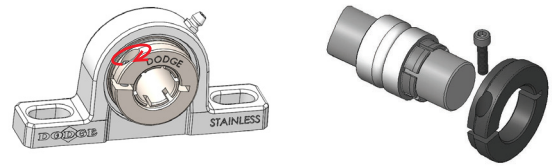
- Set screw
- D-LOK
- Grip Tight®

### Locking mechanism options



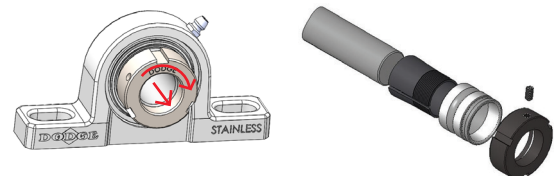
#### Set screw

65° set screw angle for greater holding power and lower inner ring stress



#### D-LOK

Concentric locking mechanism with simple installation



#### Grip Tight

Adapter mount system that offers 360° shaft contact through the entire bore with built-in dismount feature



# Extended life in washdown environments

## Superior lubrication protection

Grease washout is the most common failure in washdown applications. Dodge® E-Z and Ultra Kleen bearings are designed with innovative features to keep lubrication in and contaminants out.

### Max Life cage

Patented two-piece design that creates a constant grease compartment around each of the rolling elements.

- Compartments provide constant contact between balls and grease to prevent wear and minimize friction.
- Holds in the grease to prevent it from being washed out during high pressure cleaning



### Hydro armor seal

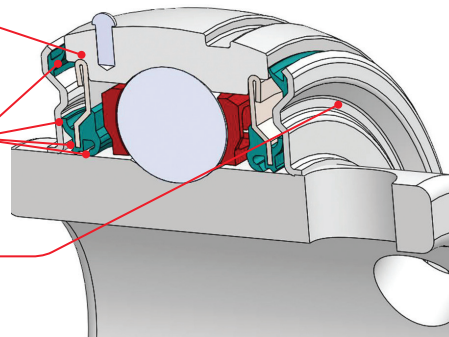
Designed with four contact lip seals and an extended metal flinger for maximum protection, the Hydro armor seal:

- Protects lubrication from contamination and washout
- Eliminates seal blowout due to mechanically retained design

**Mechanical retention**

**Four contact seal lips**

**Extended stainless steel flinger**



---

# Metal detectable end covers

Protect your food, people and equipment

Dodge® metal detectable end covers offer a lower risk of food recalls, improved safety and longer life for your bearing.

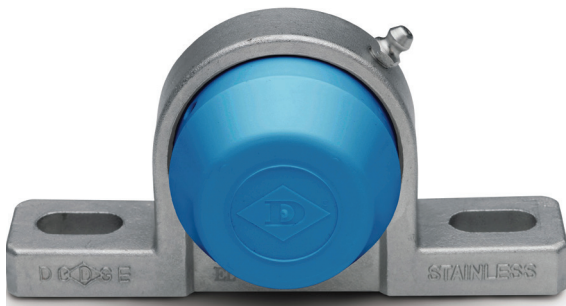
**Features:**

- Made from a patent pending metal-detectable polyethylene material containing stainless steel
- Snap on style provides easy installation and secure fit in washdown applications
- Includes drain hole to prevent moisture from collecting inside the cover
- Incorporates an extended lip on the mounting surface for a more rigid fit within the housing that creates a better seal and reduces the chances that the cover will get knocked off
- Provides positive sealing in wet environments
- Creates a safer working condition by covering exposed, rotating shafts

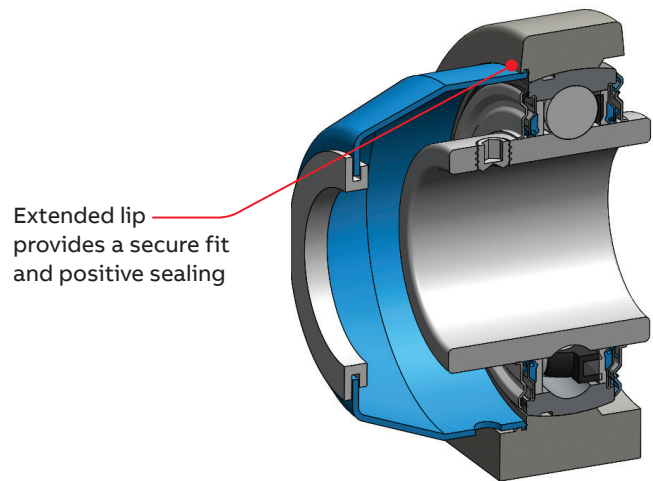
**Three methods of detection:**

- Metal detectable
- X-ray detectable
- High visibility due to blue color

Closed



Open (through shaft)



## Set Screw

### Ultra Kleen

Stainless housed		Dodge* part number					
Shaft size	P2B	TB	F2B	F4B	FB	NSTU	WSTU
3/4	136773	136784	136793	136825	136801	136833	136841
20mm	136849	136855	136861	136885	136867	136891	136897
1	136774	136785	136794	136826	136802	136834	136842
25mm	136850	136856	136862	136886	136868	136892	136898
1-3/16	136775	136786	136795	136827	136803	136835	136843
1-1/4 S	136777	136787	136796	136828	136804	136836	136844
30mm	140494	136857	136863	136887	136869	136893	136899
1-1/4	136779	136788	136797	136829	136805	136837	136845
1-7/16	136780	136789	136798	136830	136806	136838	136846
35mm	136852	136858	136864	136888	136870	136894	136900
1-1/2	136781	136790	136799	136831	-	136839	136847
40mm	139424	136859	136865	136889	-	136895	136901
1-15/16	136783	136792	136800	136832	136808	136840	136848
2	136989	136990	136991	136993	-	136994	136995
50mm	136854	136860	136866	136890	136872	136896	136902

Polymer housed		Dodge* part number					
Shaft size	P2B	TB	F2B	F4B	FB	WSTU	
3/4	136695	136704	136710	136725	136719	136734	
20mm	136740	136747	136751	136762	136758	136769	
1	136696	136705	136711	136726	136720	136735	
25mm	136741	136748	136752	136763	136759	136770	
1-3/16	-	136706	136712	136727	136721	136736	
1-1/4 S	-	136707	136713	136728	136722	136737	
30mm	-	136749	136753	136764	136760	136771	
1-1/4	136699	136708	136714	136729	136723	136738	
1-7/16	136700	136709	136715	136730	136724	136739	
35mm	136743	136750	136754	136765	136761	136772	
1-1/2	-	-	136716	136731	-	-	
40mm	-	-	136755	136766	-	-	
1-1/2 SCB	136701	-	-	-	-	-	
1-11/16	136702	-	136717	136732	-	-	
1-3/4	-	-	136608	136609	-	-	
45mm	136745	-	136756	136767	-	-	
1-15/16	136703	-	136718	136733	-	-	
2	136986	-	136987	136988	-	-	
50mm	136746	-	136757	136768	-	-	

Stainless housed high base pillow block	
Shaft size	P2B
1-3/16 SCU	136776
1-1/4 S SCU	136778
30mm SCU	136851

Stainless housed low base pillow block	
Shaft size	P2B
1-1/2 SCB	136782
40mm SCB	136853

Polymer housed high base pillow block	
Shaft size	P2B
1-3/16 SCU	136697
1-1/4 S SCU	136698
30mm SCU	136742

Polymer housed low base pillow block	
Shaft size	P2B
1-1/2 SCB	136701
40mm SCB	136744

#### Housing designs

P2B	Pillow block	TB	Tapped base	F2B	Two bolt flange	F4B	Four bolt flange	FB	Flange bracket	NSTU	Take up, narrow slot	WSTU	Take up, wide slot
-----	--------------	----	-------------	-----	-----------------	-----	------------------	----	----------------	------	----------------------	------	--------------------

Note: Consult ABB for any sizes or configurations not shown.



## Set Screw

### E-Z Kleen

Stainless housed				Dodge® part number			
Shaft size	P2B	TB	F2B	F4B	FB	NSTU	WSTU
1/2	074512	-	073396	-	-	-	-
5/8	068236	-	062994	-	-	-	-
3/4	127670	136912	127681	127689	136920	136939	136947
20mm	127697	136955	127703	127709	136961	136974	136980
7/8	056553	-	078055	065600	-	-	-
1	127671	136913	127682	127690	136921	136940	136948
25mm	127698	136956	127704	127710	136962	136975	136981
1-3/16	127672	136914	127683	127691	136922	136941	136949
1-1/4 S	127674	136915	127684	127692	136923	136942	136950
30mm	074442	136957	127705	127711	136963	136976	136982
1-1/4	127676	136916	127685	127693	136924	136943	136951
1-3/8	079459	079410	056734	062835	-	-	-
1-7/16	127677	136917	127686	127694	136925	136944	136952
35mm	127700	136958	127706	127712	136964	136977	136983
1-1/2	127678	136918	127687	127695	-	136945	136953
40mm	081361	136959	127707	127713	-	136978	136984
1-15/16	127680	-	127688	127696	136926	136946	136954
2	064306	136919	062913	062542	136996	136997	136998
50mm	127702	136960	127708	127714	136965	136979	136985

Polymer housed				Dodge® part number			
Shaft size	P2B	TB	F2B	F4B	FB	WSTU	
1/2	-	-	059823	073224	-	-	-
5/8	068322	64720	058792	-	-	-	-
3/4	127500	127509	127524	127515	127533	127539	
20mm	127545	127552	127563	127556	127570	127574	
7/8	064839	-	-	068424	-	-	-
15/16	058975	080866	076841	-	-	-	-
1	127501	127510	127525	127516	127534	127540	
25mm	127546	127553	127564	127557	127571	127575	
1-1/8	-	-	058470	068053	-	079750	
1-3/16	-	127511	127526	127517	127535	127541	
1-1/4 S	-	127512	127527	127518	127536	127542	
30mm	127547	127554	127565	127558	127572	127576	
1-1/4	127504	127513	127528	127519	127537	127543	
1-5/16	059722	-	049380	-	058648	-	-
1-3/8	058944	056577	056893	058294	-	077802	
1-7/16	127505	127514	127529	127520	127538	127544	
35mm	127548	127555	127566	127559	127573	127577	
1-1/2	-	-	127530	127521	-	-	-
1-5/8	-	-	073651	062628	-	-	-
40mm	-	-	127567	127560	-	-	-
1-11/16	127507	-	127531	127522	-	-	-
1-3/4	058931	-	078045	057907	-	-	-
45mm	127550	-	127568	127561	-	-	-
1-15/16	127508	-	127532	127523	-	-	-
2	057898	-	049835	057899	-	-	-
50mm	127551	-	127569	127562	-	-	-

Stainless housed high base pillow block	
Shaft size	P2B
1-3/16 SCU	127673
1-1/4 S SCU	127675
30mm SCU	127699

Stainless housed low base pillow block	
Shaft size	P2B
1-1/2 SCB	127679
40mm SCB	127701

Polymer housed high base pillow block	
Shaft size	P2B
1-1/8 SCU	075096
1-3/16 SCU	127502
1-1/4 S SCU	127503

Polymer housed low base pillow block	
Shaft size	P2B
1-1/2 SCB	127506
1-5/8 SCB	068495

#### Housing designs

P2B	Pillow block	TB	Tapped base	F2B	Two bolt flange	F4B	Four bolt flange	FB	Flange bracket	NSTU	Take up, narrow slot	WSTU	Take up, wide slot
-----	--------------	----	-------------	-----	-----------------	-----	------------------	----	----------------	------	----------------------	------	--------------------

Note: Consult ABB for any sizes or configurations not shown.

## Grip Tight

### E-Z Kleen

Stainless housed				Dodge® part number		
Shaft size	P2B	TB	F2B	F4B	FB	WSTU
3/4	129260	081298	129355	129721	075885	-
20mm	129261	-	129356	129722	-	-
1	129262	081300	129357	129723	075616	-
25mm	129263	-	129358	129724	-	-
1-1/8	064994	079633	-	075913	-	-
1-3/16	129264	077498	129359	129725	-	-
1-1/4 S	-	075730	129360	129726	077492	-
30mm	081156	-	129361	129727	-	075855
1-1/4	129268	-	129362	129728	-	-
1-3/8	067678	079633	065694	064993	-	-
1-7/16	129269	075131	129363	129729	081313	080215
35mm	129270	-	129364	129730	-	-
1-1/2	129271	-	129365	129731	-	-
40mm	081157	-	129366	129732	-	-
1-15/16	129274	-	129367	129733	-	-075785
2	073007	-	073008	062901	-	080926
50mm	129275	139918	129368	129734	-	075786

Polymer housed				Dodge® part number		
Shaft size	P2B	TB	F2B	F4B	FB	WSTU
3/4	129244	129291	129339	129706	129627	136315
20mm	129245	129292	129340	129707	-	136323
1	129246	129293	129341	129708	129629	136316
25mm	129247	129294	129342	129709	129630	136324
1-1/8	-	-	129394	068687	-	136317
1-3/16	-	129295	129343	129710	129631	136318
1-1/4	129251	129296	129344	129711	129632	136319
30mm	-	129297	129345	129712	-	136325
1-1/4	129251	129298	129346	129713	129634	136320
1-3/8	129392	-	073406	140521	081408	136321
1-7/16	129252	129299	129347	129714	129635	136322
35mm	129253	129300	129348	129715	-	136326
1-1/2	-	-	129349	129716	-	-
40mm	-	-	129350	129717	-	-
1-11/16	129256	-	129351	129718	-	-
1-3/4	129396	-	064147	064584	-	-
45mm	129257	-	129352	129705	-	-
1-15/16	129258	-	129353	129719	-	-
2	129393	-	064503	129395	-	-
50mm	129259	-	129354	129720	-	-

Stainless housed high base pillow block	
Shaft size	P2B
1-3/16 GTU	129265
1-1/4 S GTU	129266
30mm GTU	129267

Stainless housed low base pillow block	
Shaft size	P2B
1-1/2 GTB	129272
40mm GTB	129273

Polymer housed high base pillow block	
Shaft size	P2B
1-3/16 GTU	129248
1-1/4 S GTU	129249
30mm GTU	129250

Polymer housed low base pillow block	
Shaft size	P2B
1-1/2 GTB	129254
40mm GTB	129255

#### Housing designs

P2B Pillow block    TB Tapped base    F2B Two bolt flange    F4B Four bolt flange    FB Flange bracket    NSTU Take up, narrow slot    WSTU Take up, wide slot

Note: Consult ABB for any sizes or configurations not shown.

# D-LOK

## E-Z Kleen

Stainless housed				Dodge* part number		
Shaft size	P2B	TB	F2B	F4B	FB	WSTU
3/4	127715		127723	127731		
20mm	127739		127745	127751		
15/16	139579		080239			
1	127716	075243	127724	127732	075124	076601
25mm	127740		127746	127752		
1-1/8	049424		076584			
1-3/16	127717		127725	127733		
1-1/4 S	127718		127726	127734	080163	
1-3/16		079432				
1-1/4	127719	077512	127727	127735	081442	140238
1-3/8				080424		
1-7/16	127720	079389	127728	127736	076825	140386
35mm	127742		127748	127754		
1-1/2	127721		127729	127737		139115
40mm	127743	139389	127749	127755		
1-15/16	127722	078124	127730	127738		079559
2	068568		064292	079947		080267
50mm	127744		127750	127756		
50mm	127744	-	127750	127756	-	-

Polymer housed				Dodge* part number		
Shaft size	P2B	TB	F2B	F4B	FB	WSTU
3/4	127578	127587	127602	127593	127611	127617
20mm	127623	127630	127641	127634	127648	127652
1	127579	127588	127603	127594	127612	127618
25mm	127624	127631	127642	127635	127649	127653
1-3/16		127589	127604	127595	127613	127619
1-1/4 S		127590	127605	127596	127614	127620
30mm		127632	127643	127636	127650	127654
1-1/4	127582	127591	127606	127597	127615	127621
1-3/8			080136		139238	
1-7/16	127583	127592	127607	127598	127616	127622
35mm	127626	127633	127644	127637	127651	127655
1-1/2			127608	127599		
40mm			127645	127638		
1-11/16	127585		127609	127600		
45mm	127628		127646	127639		
1-15/16	127586		127610	127601		
2	058516		058515	058514		
50mm	127629		127647	127640		

Stainless housed high base pillow block	
Shaft size	P2B
1-3/16 DLU	068234

Stainless housed low base pillow block	
Shaft size	P2B
1-1/2 DLB	049469

Polymer housed high base pillow block	
Shaft size	P2B
30mm DLU	127625
1-1/8 DLU	080137
1-3/16 DLU	127580
1-1/4 S DLU	127581

Polymer housed low base pillow block	
Shaft size	P2B
1-1/2 DLB	127584
40mm DLB	127627

### Housing designs

P2B	Pillow block	TB	Tapped base	F2B	Two bolt flange	F4B	Four bolt flange	FB	Flange bracket	NSTU	Take up, narrow slot	WSTU	Take up, wide slot
-----	--------------	----	-------------	-----	-----------------	-----	------------------	----	----------------	------	----------------------	------	--------------------

Note: Consult ABB for any sizes or configurations not shown.

---

**ABB Motors and Mechanical Inc.**

5711 R.S. Boreham, Jr. Street  
Fort Smith, AR 72901  
Ph: 1.479.646.4711

Mechanical Power Transmission Support  
Ph: 1.864.297.4800

**[new.abb.com/mechanical-power-transmission](http://new.abb.com/mechanical-power-transmission)**

**Additional information**

We reserve the right to make technical changes or modify the contents of this document without prior notice. With regard to purchase orders, the agreed particulars shall prevail. ABB does not accept any responsibility whatsoever for potential errors or possible lack of information in this document.

We reserve all rights in this document and in the subject matter and illustrations contained therein. Any reproduction, disclosure to third parties or utilization of its contents – in whole or in parts – is forbidden without prior written consent of ABB.

© Copyright 2017 ABB. All rights reserved.  
Specifications subject to change without notice.

