

A close-up photograph of industrial machinery, likely a motor or pump assembly, featuring several bright yellow safety caps on green metal components. The machinery is mounted on a grey metal frame with various bolts and nuts. A teal-colored vertical banner is overlaid on the right side of the image, containing the text 'MECHANICAL SAFETY PRODUCTS' in white and dark grey.

MECHANICAL SAFETY PRODUCTS

TABLE OF CONTENTS

- 3** ○ Ball bearing end covers
- 9** ○ Type E and TAF / DI / K end covers
- 10** ○ S-2000 roller bearing end covers
- 13** ○ IP roller bearing end covers
- 15** ○ "E" IP roller bearing end covers
- 16** ○ ISAF roller bearing end covers
- 17** ○ Torque-Arm belt guards
- 21** ○ Torque-Arm shaft end covers
- 23** ○ Magnagear shaft end covers
- 24** ○ Quantis® shaft end covers
- 27** ○ Tigear®-2 hollow output covers

BALL BEARING END COVERS

End Covers / “Pinch” under Grease Fitting

RULES FOR “PINCH UNDER END COVERS”

1. Provides limited extra sealing
2. For protection of employees from rotating equipment.
3. Only available ball end covers for use with VSC and SXV bearings.
4. Sized by “series” size 204, 205, 206 etc.

FOR PILLOWBLOCKS P2B / TB

PART NUMBER	PART DESCRIPTION
128200	EC-203-P
128202	EC-204-P
128204	EC-205-P
128206	EC-206-P
128208	EC-207-P
128210	EC-208-P
128212	EC-209-P
128214	EC-210-P
128216	EC-211-P
128218	EC-212-P

FOR FLANGES & TAKE UPS

PART NUMBER	PART DESCRIPTION
128201	EC-203-X
128203	EC-204-X
128205	EC-205-X
128207	EC-206-X
128209	EC-207-X
128211	EC-208-X
128213	EC-209-X
128215	EC-210-X
128217	EC-211-X
128219	EC-212-X



BALL BEARING END COVERS

End Covers / Snap In Closed Covers

RULES FOR “SNAP ON” END COVERS

1. Provides an extra layer of sealing.
2. Protects employees from rotating equipment.
3. Available for standard P2B / F2B / F4B.

BY BEARING SERIES SIZE: 204 - 218

BEARING SERIES SIZE	PART NUMBER	PART DESCRIPTION
204	128280	EC-204
205	128281	EC-205
206	128282	EC-206
207	128283	EC-207
208	128284	EC-208
209	128285	EC-209
210	128286	EC-210
211	128277	EC-211
212	128278	EC-212
214	128220	EC-214
215	128221	EC-215
216	128222	EC-216
218	128223	EC-218



BALL BEARING END COVERS

End Covers / Snap In Open Covers

RULES FOR “SNAP ON” END COVERS

1. Provides an extra layer of sealing.
2. Protects employees from rotating equipment.
3. Available for standard P2B / F2B / F4B.



INCH SHAFT SIZES

SHAFT SIZE	PART NUMBER	PART DESCRIPTION
3/4	128350	ECO-012-ASM-Y
1	128351	ECO-100-ASM-Y
1-3/16	128352	ECO-103-ASM-Y
1-1/4	128353	ECO-104S-ASM-Y
1-1/4	128355	ECO-104-ASM-Y
1-7/16	128354	ECO-107-ASM-Y
1-1/2	128356	ECO-108-ASM-Y
1-11/16	128357	ECO-111-ASM-Y
1-15/16	128358	ECO-115-ASM-Y
2-7/16	127328	ECO-207 (214)
2-1/2	127329	ECO-208 (214)
2-11/16	127330	ECO-211 (214)
2-11/16	127331	ECO-211 (215)
2-15/16	127332	ECO-215 (215)
2-15/16	127333	ECO-215 (216)
3	127334	ECO-300 (216)
3-7/16	127335	ECO-307 (218)
3-1/2	127336	ECO-308 (218)

BALL BEARING END COVERS

End Covers / Snap In Closed Covers

RULES FOR “SNAP ON” END COVERS

1. Provides an extra layer of sealing.
2. Protects employees from rotating equipment.
3. Available for standard P2B / F2B / F4B.



METRIC SHAFT SIZES

SHAFT SIZE	PART NUMBER	PART DESCRIPTION
20MM	128363	ECO-20M-ASM-Y
25MM	128364	ECO-25M-ASM-Y
30MM	128365	ECO-30M-ASM-Y
35MM	128366	ECO-35M-ASM-Y
40MM	128367	ECO-40M-ASM-Y
45MM	128368	ECO-45M-ASM-Y
50MM	128369	ECO-50M-ASM-Y
65MM	127337	ECO-65M (214)
70MM	127338	ECO-70M (214)
70MM	127339	ECO-70M (215)
75MM	127340	ECO-75M (215)
85MM	127342	ECO-85M (218)
90MM	127343	ECO-90M (218)

BALL BEARING END COVERS

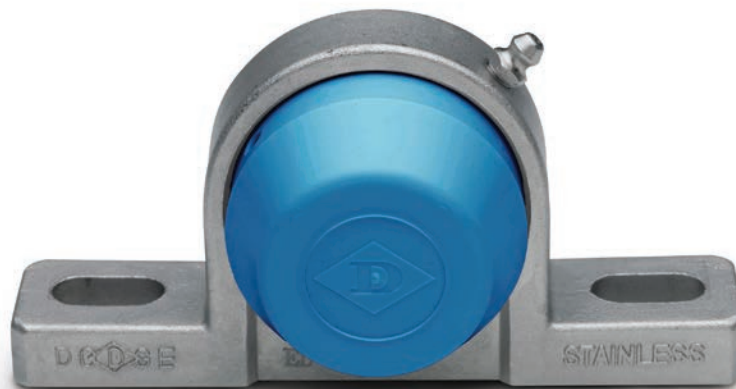
Washdown End Covers / Snap In Closed End Covers

RULES FOR WASHDOWN “SNAP ON” END COVERS

1. Provides an extra layer of sealing.
2. Protects employees from rotating equipment.
3. Blue color easily identifiable.
4. Stainless steel impregnated for use in contaminant detection equipment.
5. Available through the 210 series.

INCH SHAFT SIZES

SERIES	PART NUMBER	PART DESCRIPTION
204	128960	ECC-EZ-204 PATENT PENDING
205	128961	ECC-EZ-205 PATENT PENDING
206	128962	ECC-EZ-206 PATENT PENDING
207	128963	ECC-EZ-207 PATENT PENDING
208	128964	ECC-EZ-208 PATENT PENDING
209	128965	ECC-EZ-209 PATENT PENDING
210	128966	ECC-EZ-210 PATENT PENDING



BALL BEARING END COVERS

Washdown Snap In Open Covers

RULES FOR WASHDOWN “SNAP ON” END COVERS

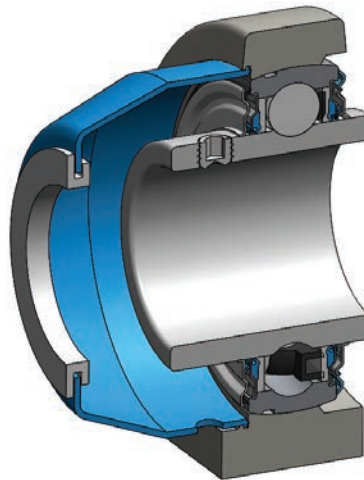
1. Provides an extra layer of sealing.
2. Protects employees from rotating equipment.
3. Blue color easily identifiable.
4. Stainless steel impregnated for use in contaminant detection equipment.
5. Available through the 210 series.

INCH SHAFT SIZES

SHAFT SIZE	PART NUMBER	PART DESCRIPTION
3/4	128974	ECO-EZ-012
1	128975	ECO-EZ-100
1-3/16	128976	ECO-EZ-103
1-1/4	128989	ECO-EZ-104S
1-1/4	128977	ECO-EZ-104
1-7/16	128990	ECO-EZ-107
1-1/2	128978	ECO-EZ-108
1-11/16	128979	ECO-EZ-111
1-15/16	128980	ECO-EZ-115

METRIC SHAFT SIZES

SHAFT SIZE	PART NUMBER	PART DESCRIPTION
20MM	128991	ECO-EZ-20M
25MM	128992	ECO-EZ-25M
30MM	128993	ECO-EZ-30M
35MM	128994	ECO-EZ-35M
40MM	128995	ECO-EZ-40M
45MM	128996	ECO-EZ-45M
50MM	128997	ECO-EZ-50M



TYPE E AND TAF / DI / K END COVERS

- Covers are press fit into the housing.
- Covers are only available as closed.
- Covers are safety yellow in color.
- Covers are sized solely by shaft size.
- Type E covers also include a new collar.

TYPE E COVER KIT ASSEMBLIES

PART NUMBER	PART DESCRIPTION
023795	ESSECKIT103
023796	ESSECKIT107
023797	ESSECKIT111
023798	ESSECKIT115
023799	ESSECKIT203
023800	ESSECKIT207
023801	ESSECKIT215

TAF / DI / K COVERS

PART NUMBER	PART DESCRIPTION
037681	EC-KDTAF-107/106
037682	EC-KDTAF-108/110/111
037683	EC-KDTAF-112/114/115/200
037684	EC-KDTAF-203
037685	EC-KDTAF-204/207/208
037686	EC-KDTAF-211/212/215/300
037687	EC-KDTAF-303/304/307/308
037688	EC-KDTAF-315/400
037689	EC-KDTAF-407/408
037690	EC-KDTAF-415/500



S-2000 ROLLER BEARING END COVERS

RULES FOR END COVERS – IP AND S-2000:

1. You must have the capability to have an open cover on both sides of a bearing – in case of a through shaft that needs a cover on both sides.
2. ISAF only uses front end covers.
3. A "front end" cover can be either open or closed.
4. A "back end" cover can only be open.
5. An "open" cover can be either front end or back end.
6. A "closed" cover can only be front end.

CLOSED (FRONT OR FACE SIDE) S2 END COVERS

SHAFT SIZE	PART NUMBER	PART DESCRIPTION
1-3/8 to 1-1/2	069970	S2EC08
1-11/16 to 1-3/4	069971	S2EC09
1-15/16 to 2	069972	S2EC10
2-3/16	069973	S2EC11
2-7/16	069964	S2EC13
2-11/16 to 3	069975	S2EC15
3-7/16	069966	S2IPEC18
3-15/16	069967	S2IPEC20
4-7/16	069968	S2IPEC22
4-15/16	069969	S2IPEC26

E DIMENSIONED S-2000 CLOSED END COVER

SHAFT SIZE	PART NUMBER	PART DESCRIPTION
1-3/8 to 1-1/2	069960	IPEC08
1-11/16 to 1-3/4	069961	IPEC09
1-15/16 to 2	069962	IPEC10
2-3/16	069963	IPEC11
2-7/16	069964	IPEC13
2-11/16 to 3	069965	IPEC15
3-7/16	069966	S2IPEC18
3-15/16	069967	S2IPEC20
4-7/16	069968	S2IPEC22
4-15/16	069969	S2IPEC26



S-2000 ROLLER BEARING END COVERS

RULES FOR END COVERS – IP AND S-2000:

1. Bearings must be capable of having an open cover on both sides of a bearing – in case of a through shaft that needs a cover on both sides.
2. ISAF only uses front end covers.
3. A "front end" cover can be either open or closed.
4. A "back end" cover can only be open.
5. An "open" cover can be either front end or back end.
6. A "closed" cover can only be front end.

E- DIMENSIONED AND STANDARD S-2000 FRONT SIDE OPEN END COVERS

SHAFT SIZE	PART NUMBER	PART DESCRIPTION
1-3/8	070240	S2ECO-08-106
1-7/16	070241	S2ECO-08-107
1-1/2	070242	S2ECO-08-108
1-11/16	070243	S2ECO-09-111
1-3/4	070244	S2ECO-09-112
1-15/16	070245	S2ECO-10-115
2	070246	S2ECO-10-200
2-3/16	070247	S2ECO-11-203
2-7/16	070178	S2IPECO-13-207
2-11/16	070248	S2ECO-15-211
2-15/16	070249	S2ECO-15-215
3	070250	S2ECO-15-300
3-7/16	070186	S2IPECO-18-307
3-15/16	070189	S2IPECO-20-315
4-7/16	070191	S2IPECO-22-407
4-15/16	070193	S2IPECO-26-415



S-2000 ROLLER BEARING END COVERS

RULES FOR END COVERS – IP AND S-2000:

1. Bearings must be capable of having an open cover on both sides of a bearing – in case of a through shaft that needs a cover on both sides.
2. ISAF only uses front end covers.
3. A "front end" cover can be either open or closed.
4. A "back end" cover can only be open.
5. An "open" cover can be either front end or back end.
6. A "closed" cover can only be front end.

E- DIMENSIONED AND STANDARD S-2000 BACK SIDE OPEN END COVERS

SHAFT SIZE	PART NUMBER	PART DESCRIPTION
1-3/8	072503	S2IPBECO-08-106
1-7/16	072504	S2IPBECO-08-107
1-1/2	072505	S2IPBECO-08-108
1-11/16	072508	S2IPBECO-09-111
1-3/4	072509	S2IPBECO-09-112
1-15/16	072512	S2IPBECO-10-115
2	072513	S2IPBECO-10-200
2-3/16	072514	S2IPBECO-11-203
2-7/16	072518	S2IPBECO-13-207
2-11/16	072520	S2IPBECO-15-211
2-15/16	072522	S2IPBECO-15-215
3	072523	S2IPBECO-15-300
3-7/16	072526	S2IPBECO-18-307
3-15/16	072529	S2IPBECO-20-315
4-7/16	072532	S2BECO-22-407
4-15/16	072535	S2BECO-26-415



IP ROLLER BEARING END COVERS

RULES FOR END COVERS – IP AND S-2000:

1. Bearings must be capable of having an open cover on both sides of a bearing – in case of a through shaft that needs a cover on both sides.
2. ISAF only uses front end covers.
3. A "front end" cover can be either open or closed.
4. A "back end" cover can only be open.
5. An "open" cover can be either front end or back end.
6. A "closed" cover can only be front end.

IP FRONT SIDE CLOSED END COVERS

SHAFT SIZE	PART NUMBER	PART DESCRIPTION
1-1/8 to 1-7/16	069960	IPEC08 (107)
1-1/2	069960	IPEC08 (107)
1-5/8 to 1-11/16	069961	IPEC09 (111)
1-3/4	069961	IPEC09 (111)
1-7/8 to 2	069962	IPEC10 (115)
2-3/16	069963	IPEC11 (203)
2-1/4	069963	IPEC11 (203)
2-3/8 to 2-1/2	069964	S2IPEC13 NEW DESIGN (206-208)
2-11/16 to 3	069965	IPEC15 (215)
3-3/16 to 3-1/2	069966	IPEC18 (307)
3-11/16 to 4	069967	S2IPEC20 NEW DESIGN (311-400)
4-7/16 to 4-1/2	069968	S2IPEC22 NEW DESIGN (407-408)
4-15/16 to 5	069969	S2IPEC26 NEW DESIGN (415-500)

E-DIMENSIONED IMPERIAL

SHAFT SIZE	PART NUMBER	PART DESCRIPTION
1-1/8 to 1-7/16	069960	IPEC08 (107)
1-1/2	069961	IPEC09 (111)
1-5/8 to 1-11/16	069961	IPEC09 (111)
1-3/4	069962	IPEC10 (115)
1-7/8 to 2	069962	IPEC10 (115)
2-3/16	069963	IPEC11 (203)
2-1/4	069964	S2IPEC13 NEW DESIGN (206-208)
2-3/8 to 2-1/2	069964	S2IPEC13 NEW DESIGN (206-208)
2-11/16 to 3	069965	IPEC15 (215)
3-3/16 to 3-1/2	069966	IPEC18 (307)
3-11/16 to 4	069967	S2IPEC20 NEW DESIGN (311-400)
4-7/16 to 4-1/2	069968	S2IPEC22 NEW DESIGN (407-408)
4-15/16 to 5	069969	S2IPEC26 NEW DESIGN (415-500)



IP ROLLER BEARING END COVERS

IP FRONT SIDE OPEN END COVERS

SHAFT SIZE	PART NUMBER	PART DESCRIPTION
1-1/8	070160	IPECO-08-102
1-3/16	070161	IPECO-08-103
1-1/4	070162	IPECO-08-104
1-3/8	070163	IPECO-08-106
1-7/16	070164	IPECO-08-107
1-1/2	070165	IPECO-08-108
1-5/8	070167	IPECO-09-110
1-11/16	070168	IPECO-09-111
1-3/4	070169	IPECO-09-112
1-7/8	070171	IPECO-10-114
1-15/16	070172	IPECO-10-115
2	070173	IPECO-10-200
2-3/16	070174	IPECO-11-203
2-1/4	070175	IPECO-11-204
2-3/8	070177	S2IPECO-13-206
2-7/16	070178	S2IPECO-13-207
2-1/2	070179	S2IPECO-13-208
2-11/16	070180	IPECO-15-211
2-3/4	070181	IPECO-15-212
2-15/16	070182	IPECO-15-215
3	070183	IPECO-15-300
3-3/16	070184	S2IPECO-18-303
3-1/4	070185	S2IPECO-18-304
3-7/16	070186	S2IPECO-18-307
3-1/2	070187	S2IPECO-18-308
3-11/16	070188	S2IPECO-20-311
3-15/16	070189	S2IPECO-20-315
4	070190	S2IPECO-20-400
4-7/16	070191	S2IPECO-22-407
4-1/2	070192	S2IPECO-22-408
4-15/16	070193	S2IPECO-26-415
5	070194	S2IPECO-26-500

IP BACK SIDE OPEN END COVERS

SHAFT SIZE	PART NUMBER	PART DESCRIPTION
1-1/8	072500	S2IPBECO-08-102
1-3/16	072501	S2IPBECO-08-103
1-1/4	072502	S2IPBECO-08-104
1-3/8	072503	S2IPBECO-08-106
1-7/16	072504	S2IPBECO-08-107
1-1/2	072505	S2IPBECO-08-108
1-5/8	072507	S2IPBECO-09-110
1-11/16	072508	S2IPBECO-09-111
1-3/4	072509	S2IPBECO-09-112
1-7/8	072511	S2IPBECO-10-114
1-15/16	072512	S2IPBECO-10-115
2	072513	S2IPBECO-10-200
2-3/16	072514	S2IPBECO-11-203
2-1/4	072515	S2IPBECO-11-204
2-3/8	072517	S2IPBECO-13-206
2-7/16	072518	S2IPBECO-13-207
2-1/2	072519	S2IPBECO-13-208
2-11/16	072520	S2IPBECO-15-211
2-3/4	072521	S2IPBECO-15-212
2-15/16	072522	S2IPBECO-15-215
3	072523	S2IPBECO-15-300
3-3/16	072524	S2IPBECO-18-303
3-1/4	072525	S2IPBECO-18-304
3-7/16	072526	S2IPBECO-18-307
3-1/2	072527	S2IPBECO-18-308
3-11/16	072528	S2IPBECO-20-311
3-15/16	072529	S2IPBECO-20-315
4	072530	S2IPBECO-20-400
4-7/16	072531	IPBECO-22-407
4-1/2	072533	IPBECO-22-408
4-15/16	072534	IPBECO-26-415
5	072536	IPBECO-26-500



"E" IP ROLLER BEARING END COVERS

"E" IP FRONT SIDE OPEN END COVERS

SHAFT SIZE	PART NUMBER	PART DESCRIPTION
1-1/8	070160	IPECO-08-102
1-3/16	070161	IPECO-08-103
1-1/4	070162	IPECO-08-104
1-3/8	070163	IPECO-08-106
1-7/16	070164	IPECO-08-107
1-1/2	070166	IPECO-09-108
1-5/8	070167	IPECO-09-110
1-11/16	070168	IPECO-09-111
1-3/4	070170	IPECO-10-112
1-7/8	070171	IPECO-10-114
1-15/16	070172	IPECO-10-115
2	070173	IPECO-10-200
2-3/16	070174	IPECO-11-203
2-1/4	070176	S2IPECO-13-204
2-3/8	070177	S2IPECO-13-206
2-7/16	070178	S2IPECO-13-207
2-1/2	070179	S2IPECO-13-208
2-11/16	070180	IPECO-15-211
2-3/4	070181	IPECO-15-212
2-15/16	070182	IPECO-15-215
3	070183	IPECO-15-300
3-3/16	070184	S2IPECO-18-303
3-1/4	070185	S2IPECO-18-304
3-7/16	070186	S2IPECO-18-307
3-1/2	070187	S2IPECO-18-308
3-11/16	070188	S2IPECO-20-311
3-15/16	070189	S2IPECO-20-315
4	070190	S2IPECO-20-400
4-7/16	070191	S2IPECO-22-407
4-1/2	070192	S2IPECO-22-408
4-15/16	070193	S2IPECO-26-415
5	070194	S2IPECO-26-500

"E" IP BACK SIDE OPEN END COVERS

SHAFT SIZE	PART NUMBER	PART DESCRIPTION
1-1/8	072500	S2IPBECO-08-102
1-3/16	072501	S2IPBECO-08-103
1-1/4	072502	S2IPBECO-08-104
1-3/8	072503	S2IPBECO-08-106
1-7/16	072504	S2IPBECO-08-107
1-1/2	072506	S2IPBECO-09-108
1-5/8	072507	S2IPBECO-09-110
1-11/16	072508	S2IPBECO-09-111
1-3/4	072510	S2IPBECO-10-112
1-7/8	072511	S2IPBECO-10-114
1-15/16	072512	S2IPBECO-10-115
2	072513	S2IPBECO-10-200
2-3/16	072514	S2IPBECO-11-203
2-1/4	072516	S2IPBECO-13-204
2-3/8	072517	S2IPBECO-13-206
2-7/16	072518	S2IPBECO-13-207
2-1/2	072519	S2IPBECO-13-208
2-11/16	072520	S2IPBECO-15-211
2-3/4	072521	S2IPBECO-15-212
2-15/16	072522	S2IPBECO-15-215
3	072523	S2IPBECO-15-300
3-3/16	072524	S2IPBECO-18-303
3-1/4	072525	S2IPBECO-18-304
3-7/16	072526	S2IPBECO-18-307
3-1/2	072527	S2IPBECO-18-308
3-11/16	072528	S2IPBECO-20-311
3-15/16	072529	S2IPBECO-20-315
4	072530	S2IPBECO-20-400
4-7/16	072531	IPBECO-22-407
4-1/2	072533	IPBECO-22-408
4-15/16	072534	IPBECO-26-415
5	072536	IPBECO-26-500



ISAF ROLLER BEARING END COVERS

**ISAF BEARINGS USE FRONT SIDE ONLY COVERS
ON BOTH SIDES OF THE BEARING / WHETHER
OPEN OR CLOSED.**



SHAFT SIZE	CLOSED END COVERS		OPEN END COVERS	
	PART NUMBER	PART DESCRIPTION	PART NUMBER	PART DESCRIPTION
1-7/16	069960	IPEC08 (107)	070164	IPECO-08-107
1-11/16	069961	IPEC09 (111)	070168	IPECO-09-111
1-15/16	069962	IPEC10 (115)	070172	IPECO-10-115
2	069962	IPEC10 (115)	070173	IPECO-10-200
2-3/16	069963	IPEC11 (203)	070174	IPECO-11-203
2-7/16	069964	S2IPEC13 NEW DESIGN (206-208)	070178	S2IPECO-13-207
2-11/16	069965	IPEC15 (215)	070180	IPECO-15-211
2-15/16	069965	IPEC15 (215)	070182	IPECO-15-215
3	069965	IPEC15 (215)	070183	IPECO-15-300
3-7/16	069966	IPEC18 (307)	070186	S2IPECO-18-307
3-15/16	069967	S2IPEC20 NEW DESIGN (311-400)	070189	S2IPECO-20-315
4-7/16	069968	S2IPEC22 NEW DESIGN (407-408)	070191	S2IPECO-22-407
4-1/2	069968	S2IPEC22 NEW DESIGN (407-408)	070192	S2IPECO-22-408
4-15/16	069969	S2IPEC26 NEW DESIGN (415-500)	070193	S2IPECO-26-415
5	069969	S2IPEC26 NEW DESIGN (415-500)	070194	S2IPECO-26-500
5-7/16	069983	IPEC-28	069933	IPECO-28-507
5-1/2	069983	IPEC-28	069934	IPECO-28-508
5-15/16	069984	IPEC-32	069935	IPECO-32-515
6	069984	IPEC-32	069936	IPECO-32-600
6-7/16	069985	IPEC-36	069937	IPECO-36-607
6-1/2	069985	IPEC-36	069938	IPECO-36-608
6-15/16	069985	IPEC-36	069939	IPECO-36-615
7	069985	IPEC-36	069940	IPECO-36-700

TORQUE-ARM BELT GUARDS

Belt Guards



Bolt-on belt guard package requires no drilling or straps. It allows multiple height adjustments and has open metal inspection features.

TORQUE-ARM BELT GUARDS

Torque-Arm II Belt Guards

TYPE	REDUCER CASE SIZE	RATIO	PRODUCT TYPE	BELT GUARD MOUNTING POSITION	MATERIAL	MATERIAL DESCRIPTION
TAII	0	ALL	BELT GUARD	B	900096	TA0107BG BELT GUARD - POS. B
TAII	0	ALL	BELT GUARD	C	900097	TA0107BG BELT GUARD - POS. C
TAII	0	ALL	BELT GUARD	D	900099	TA0107BG BELT GUARD - POS.D
TAII	1	ALL	BELT GUARD	A	901098	TA1107BG BELT GUARD - POS. A
TAII	1	ALL	BELT GUARD	B	901096	TA1107BG BELT GUARD - POS. B
TAII	1	ALL	BELT GUARD	B-LONG	901100	TA1107 BGL LG BELT GUARD-POS.B
TAII	1	ALL	BELT GUARD	C	901097	TA1107BG BELT GUARD - POS. C
TAII	1	ALL	BELT GUARD	D	901099	TA1107BG BELT GUARD - POS.D
TAII	2	ALL	BELT GUARD	B	902096	TA2115BG BELT GUARD - POS. B
TAII	2	ALL	BELT GUARD	B-LONG	902100	TA2115BGL LG BELT GUARD-POS.B
TAII	2	ALL	BELT GUARD	C	902097	TA2115BG BELT GUARD - POS. C
TAII	2	ALL	BELT GUARD	D	902099	TA2115BG BELT GUARD - POS.D
TAII	3	ALL	BELT GUARD	B	903096	TA3203BG BELT GUARD - POS. B
TAII	3	ALL	BELT GUARD	B-LONG	903100	TA3203BGL LG BELT GUARD-POS.B
TAII	3	ALL	BELT GUARD	C	903097	TA3203BG BELT GUARD - POS. C
TAII	3	ALL	BELT GUARD	D	903099	TA3203BG BELT GUARD - POS.D
TAII	4	ALL	BELT GUARD	A	904098	TA4207BG BELT GUARD - POS. A
TAII	4	ALL	BELT GUARD	B	904096	TA4207BG BELT GUARD - POS. B
TAII	4	ALL	BELT GUARD	C	904097	TA4207BG BELT GUARD - POS. C
TAII	4	ALL	BELT GUARD	D	904099	TA4207BG BELT GUARD - POS. D
TAII	5	ALL	BELT GUARD	A	905098	TA5215BG BELT GUARD - POS. A
TAII	5	ALL	BELT GUARD	B	905096	TA5215BG BELT GUARD - POS. B
TAII	5	ALL	BELT GUARD	C	905097	TA5215BG BELT GUARD - POS. C
TAII	5	ALL	BELT GUARD	D	905099	TA5215BG BELT GUARD - POS.D
TAII	6	ALL	BELT GUARD	A	906098	TA6307H BG BELT GUARD - POS. A
TAII	6	ALL	BELT GUARD	B	906096	TA6307BG BELT GUARD - POS. B
TAII	6	ALL	BELT GUARD	C	906097	TA6307BG BELT GUARD - POS. C
TAII	6	ALL	BELT GUARD	D	906099	TA6307BG BELT GUARD POS. - D
TAII	7	ALL	BELT GUARD	A	907098	TA7315/8407BG BELT GUARD-POS. A
TAII	7	ALL	BELT GUARD	B	907096	TA7315/8407BG BELT GUARD - POS B
TAII	7	ALL	BELT GUARD	C	907097	TA7315/8407BG BELT GUARD-POS. C
TAII	7	ALL	BELT GUARD	D	907099	TA7315/8407BG BELT GUARD-POS. D
TAII	8	ALL	BELT GUARD	A	907098	TA7315/8407BG BELT GUARD-POS. A
TAII	8	ALL	BELT GUARD	B	907096	TA7315/8407BG BELT GUARD - POS B
TAII	8	ALL	BELT GUARD	C	907097	TA7315/8407BG BELT GUARD-POS. C
TAII	8	ALL	BELT GUARD	D	907099	TA7315/8407BG BELT GUARD-POS. D
TAII	9	ALL	BELT GUARD	B	909096	TA9415BG BELT GUARD - POS. B
TAII	9	ALL	BELT GUARD	D	909099	TA9415BG BELT GUARD - POS. D
TAII	10	ALL	BELT GUARD	B	910096	TA10507BG BELT GUARD - POS. B
TAII	10	ALL	BELT GUARD	D	910099	TA10507BG BELT GUARD - POS.D
TAII	12	ALL	BELT GUARD	B	912096	TA12608BG BELT GUARD - POS. B
TAII	12	ALL	BELT GUARD	D	912099	TA12507BG BELT GUARD - POS.D

TORQUE-ARM BELT GUARDS

TXT Belt Guards

TYPE	REDUCER CASE SIZE	RATIO	PRODUCT TYPE	BELT GUARD MOUNTING POSITION	MATERIAL	MATERIAL DESCRIPTION
TXT	1	ALL	BELT GUARD	B	241395	TXT1D STD MTR MT BELT GUARD ASSY
TXT	1	5	BELT GUARD	B	241397	TXT1S STD MTR MT BELT GUARD ASSY
TXT	1	ALL	BELT GUARD	C	241489	SCXT1D STD MTR MT BELT GRD ASSY
TXT	1	5	BELT GUARD	C	241491	SCXT1S STD MTR MT BELT GRD ASSY
TXT	2	ALL	BELT GUARD	B	242395	TXT2D STD MTR MT BELT GUARD ASSY
TXT	2	5	BELT GUARD	B	242397	TXT2S STD MTR MT BELT GUARD ASSY
TXT	2	ALL	BELT GUARD	C	242489	SCXT2D STD MTR MT BELT GRD ASSY
TXT	2	5	BELT GUARD	C	242491	SCXT2S STD MTR MT BELT GRD ASSY
TXT	3	ALL	BELT GUARD	B	243387	TXT3D STD MTR MT BELT GUARD ASSY
TXT	3	5	BELT GUARD	B	243389	TXT3S STD MTR MT BELT GUARD ASSY
TXT	3	ALL	BELT GUARD	B-LONG	243153	TXT3D LG MTR MT BELT GUARD ASSY
TXT	3	5	BELT GUARD	B-LONG	243164	TXT3S LG MTR MT BELT GUARD ASSY
TXT	3	ALL	BELT GUARD	C	243416	SCXT3D STD MTR MT BELT GRD ASSY
TXT	3	5	BELT GUARD	C	243418	SCXT3S STD MTR MT BELT GRD ASSY
TXT	4	ALL	BELT GUARD	B	244395	TXT4D STD MTR MT BELT GUARD ASSY
TXT	4	5	BELT GUARD	B	244397	TXT4S STD MTR MT BELT GUARD ASSY
TXT	4	ALL	BELT GUARD	B-LONG	244151	TXT4D LG MTR MT BELT GUARD ASSY
TXT	4	5	BELT GUARD	B-LONG	244164	TXT4S LG MTR MT BELT GUARD ASSY
TXT	4	ALL	BELT GUARD	C	244489	SCXT4D STD MTR MT BELT GRD ASSY
TXT	4	5	BELT GUARD	C	244491	SCXT4S STD MTR MT BELT GRD ASSY
TXT	5	ALL	BELT GUARD	B	245387	TXT5D STD MTR MT BELT GUARD ASSY
TXT	5	5	BELT GUARD	B	245389	TXT5S STD MTR MT BELT GUARD ASSY
TXT	5	ALL	BELT GUARD	B-LONG	245102	TXT5D LG MTR MT BELT GUARD ASSY
TXT	5	5	BELT GUARD	B-LONG	245162	TXT5S LG MTR MT BELT GUARD ASSY
TXT	5	ALL	BELT GUARD	C	245495	SCXT5D STD MTR MT BELT GRD ASSY
TXT	5	5	BELT GUARD	C	245497	SCXT5S STD MTR MT BELT GRD ASSY
TXT	6	ALL	BELT GUARD	B	246366	TXT6D STD MTR MT BELT GUARD ASSY
TXT	6	5	BELT GUARD	B	246368	TXT6S STD MTR MT BELT GUARD ASSY
TXT	6	5	BELT GUARD	B-LONG	246132	TXT6S LG MTR MT BELT GUARD ASSY
TXT	6	ALL	BELT GUARD	B-LONG	246147	TXT6D LG MTR MT BELT GUARD ASSY
TXT	6	ALL	BELT GUARD	C	246476	SCXT6D STD MTR MT BELT GRD ASSY
TXT	6	5	BELT GUARD	C	246478	SCXT6S STD MTR MT BELT GRD ASSY
TXT	7	ALL	BELT GUARD	B	247390	TXT7D STD MTR MT BELT GUARD ASSY
TXT	7	5	BELT GUARD	B	247392	TXT7S STD MTR MT BELT GUARD ASSY
TXT	7	5	BELT GUARD	B-LONG	247146	TXT7S LG MTR MT BELT GUARD ASSY
TXT	7	ALL	BELT GUARD	B-LONG	247152	TXT7D LG MTR MT BELT GUARD ASSY
TAII	9	ALL	BELT GUARD	B	909096	TA9415BG BELT GUARD - POS. B
TAII	9	ALL	BELT GUARD	D	909099	TA9415BG BELT GUARD - POS. D
TAII	10	ALL	BELT GUARD	B	910096	TA10507BG BELT GUARD - POS. B
TAII	10	ALL	BELT GUARD	D	910099	TA10507BG BELT GUARD - POS.D
TAII	12	ALL	BELT GUARD	B	912096	TA12608BG BELT GUARD - POS. B
TAII	12	ALL	BELT GUARD	D	912099	TA12507BG BELT GUARD - POS.D

TORQUE-ARM BELT GUARDS

SCXT Belt Guards

TYPE	REDUCER CASE SIZE	RATIO	PRODUCT TYPE	BELT GUARD MOUNTING POSITION	MATERIAL	MATERIAL DESCRIPTION
SCXT	1	ALL	BELT GUARD	C	241489	SCXT1D STD MTR MT BELT GRD ASSY
SCXT	1	5	BELT GUARD	C	241491	SCXT1S STD MTR MT BELT GRD ASSY
SCXT	1	ALL	BELT GUARD	C-LONG	241149	SCXT1D LG MTR MT BELT GUARD ASSY
SCXT	1	5	BELT GUARD	C-LONG	241142	SCXT1S LG MTR MT BELT GUARD ASSY
SCXT	2	ALL	BELT GUARD	C	242489	SCXT2D STD MTR MT BELT GRD ASSY
SCXT	2	5	BELT GUARD	C	242491	SCXT2S STD MTR MT BELT GRD ASSY
SCXT	2	5	BELT GUARD	C-LONG	242114	SCXT2S LG MTR MT BELT GUARD ASSY
SCXT	2	ALL	BELT GUARD	C-LONG	242223	SCXT2D LG MTR MT BELT GUARD ASSY
SCXT	3	ALL	BELT GUARD	C	243416	SCXT3D STD MTR MT BELT GRD ASSY
SCXT	3	5	BELT GUARD	C	243418	SCXT3S STD MTR MT BELT GRD ASSY
SCXT	3	ALL	BELT GUARD	C-LONG	243154	SCXT3D LG MTR MT BELT GUARD ASSY
SCXT	3	5	BELT GUARD	C-LONG	243167	SCXT3S LG MTR MT BELT GUARD ASSY
SCXT	4	ALL	BELT GUARD	C	244489	SCXT4D STD MTR MT BELT GRD ASSY
SCXT	4	5	BELT GUARD	C	244491	SCXT4S STD MTR MT BELT GRD ASSY
SCXT	4	ALL	BELT GUARD	C-LONG	244152	SCXT4D LG MTR MT BELT GUARD ASSY
SCXT	4	5	BELT GUARD	C-LONG	244167	SCXT4S LG MTR MT BELT GUARD ASSY
SCXT	5	ALL	BELT GUARD	C	245495	SCXT5D STD MTR MT BELT GRD ASSY
SCXT	5	5	BELT GUARD	C	245497	SCXT5S STD MTR MT BELT GRD ASSY
SCXT	5	5	BELT GUARD	C-LONG	245015	SCXT5S LG MTR MT BELT GUARD ASSY
SCXT	5	ALL	BELT GUARD	C-LONG	245103	SCXT5D LG MTR MT BELT GUARD ASSY
SCXT	6	ALL	BELT GUARD	C	246476	SCXT6D STD MTR MT BELT GRD ASSY
SCXT	6	5	BELT GUARD	C	246478	SCXT6S STD MTR MT BELT GRD ASSY
SCXT	6	5	BELT GUARD	C-LONG	246142	SCXT6S LG MTR MT BELT GUARD ASSY
SCXT	6	ALL	BELT GUARD	C-LONG	246148	SCXT6D LG MTR MT BELT GUARD ASSY
SCXT	7	ALL	BELT GUARD	C	247474	SCXT7D STD MTR MT BELT GRD ASSY
SCXT	7	5	BELT GUARD	C	247476	SCXT7S STD MTR MT BELT GRD ASSY
SCXT	7	5	BELT GUARD	C-LONG	247149	SCXT7S LG MTR MT BELT GUARD ASSY
SCXT	7	ALL	BELT GUARD	C-LONG	247153	SCXT7D LG MTR MT BELT GUARD ASSY
SCXT	8	ALL	BELT GUARD	C-LONG	248477	SCXT8D LG MTR MT BELT GUARD ASSY
TAII	7	ALL	BELT GUARD	B	907096	TA7315/8407BG BELT GUARD - POS B
TAII	7	ALL	BELT GUARD	C	907097	TA7315/8407BG BELT GUARD-POS. C
TAII	7	ALL	BELT GUARD	D	907099	TA7315/8407BG BELT GUARD-POS. D
TAII	8	ALL	BELT GUARD	A	907098	TA7315/8407BG BELT GUARD-POS. A
TAII	8	ALL	BELT GUARD	B	907096	TA7315/8407BG BELT GUARD - POS B
TAII	8	ALL	BELT GUARD	C	907097	TA7315/8407BG BELT GUARD-POS. C
TAII	8	ALL	BELT GUARD	D	907099	TA7315/8407BG BELT GUARD-POS. D
TAII	9	ALL	BELT GUARD	B	909096	TA9415BG BELT GUARD - POS. B
TAII	9	ALL	BELT GUARD	D	909099	TA9415BG BELT GUARD - POS. D
TAII	10	ALL	BELT GUARD	B	910096	TA10507BG BELT GUARD - POS. B
TAII	10	ALL	BELT GUARD	D	910099	TA10507BG BELT GUARD - POS.D
TAII	12	ALL	BELT GUARD	B	912096	TA12608BG BELT GUARD - POS. B
TAII	12	ALL	BELT GUARD	D	912099	TA12507BG BELT GUARD - POS.D

TORQUE-ARM SHAFT END COVERS

Tail Shaft End Covers

TYPE	REDUCER CASE SIZE	RATIO	PRODUCT TYPE	END COVER MATERIAL	END COVER TYPE	MATERIAL	MATERIAL DESCRIPTION
TAI	0	ALL	END COVER	ABS	CLOSED	900142	TA0107L ABS CLOSED END COVER ASSY
TAI	0	ALL	END COVER	ABS	SPLIT	900143	TA0107L ABS SPLIT END COVER ASSY
TAI	0	ALL	END COVER	ALUMINUM	CLOSED	900114	TA0107CEC CLOSED END COVER ASSY
TAI	0	ALL	END COVER	ALUMINUM	SPLIT	900115	TA0107SEC SPLIT END COVER ASSY
TAI	1	ALL	END COVER	ABS	CLOSED	901142	TA1107H ABS CLOSED END COVER ASSY
TAI	1	ALL	END COVER	ABS	SPLIT	901143	TA1107H ABS SPLIT END COVER ASSY
TAI	1	ALL	END COVER	ALUMINUM	CLOSED	901114	TA1107CEC CLOSED END COVER ASSY
TAI	1	ALL	END COVER	ALUMINUM	SPLIT	901115	TA1107SEC SPLIT END COVER ASSY
TAI	2	ALL	END COVER	ABS	CLOSED	902142	TA2115 ABS CLOSED END COVER ASSY
TAI	2	ALL	END COVER	ABS	SPLIT	902143	TA2115 ABS SPLIT END COVER ASSY
TAI	2	ALL	END COVER	ALUMINUM	CLOSED	902114	TA2115CEC CLOSED END COVER ASSY
TAI	2	ALL	END COVER	ALUMINUM	SPLIT	902115	TA2115SEC SPLIT END COVER ASSY
TAI	3	ALL	END COVER	ABS	CLOSED	903142	TA3203 ABS CLOSED END COVER ASSY
TAI	3	ALL	END COVER	ABS	SPLIT	903143	TA3203 ABS SPLIT END COVER ASSY
TAI	3	ALL	END COVER	ALUMINUM	CLOSED	903114	TA3203CEC CLOSED END COVER ASSY
TAI	3	ALL	END COVER	ALUMINUM	SPLIT	903115	TA3203SEC SPLIT END COVER ASSY
TAI	4	ALL	END COVER	ABS	CLOSED	904142	TA4207 ABS CLOSED END COVER ASSY
TAI	4	ALL	END COVER	ABS	SPLIT	904143	TA4207 ABS SPLIT END COVER ASSY
TAI	4	ALL	END COVER	ALUMINUM	CLOSED	904114	TA4207CEC CLOSED END COVER ASSY
TAI	4	ALL	END COVER	ALUMINUM	SPLIT	904115	TA4207SEC SPLIT END COVER ASSY
TAI	5	ALL	END COVER	ABS	CLOSED	905142	TA5215/TA6307 ABS CLOSED END COVER ASSY
TAI	5	ALL	END COVER	ABS	SPLIT	905143	TA5215/TA6307 ABS SPLIT END COVER ASSY
TAI	5	ALL	END COVER	ALUMINUM	CLOSED	905114	TA5215/TA6307CEC CLOSED END COVER ASSY
TAI	5	ALL	END COVER	ALUMINUM	SPLIT	905115	TA5215/TA6307SEC SPLIT END COVER ASSY
TAI	6	ALL	END COVER	ABS	CLOSED	906142	TA6307 ABS CLOSED END COVER ASSY
TAI	6	ALL	END COVER	ABS	SPLIT	906143	TA6307 ABS SPLIT END COVER ASSY
TAI	6	ALL	END COVER	ALUMINUM	CLOSED	906114	TA6307CEC CLOSED END COVER ASSY
TAI	6	ALL	END COVER	ALUMINUM	SPLIT	906115	TA6307SEC SPLIT END COVER ASSY
TAI	7	ALL	END COVER	ABS	CLOSED	907142	TA7315 ABS CLOSED END COVER ASSY
TAI	7	ALL	END COVER	ABS	SPLIT	907143	TA7315 ABS SPLIT END COVER ASSY
TAI	7	ALL	END COVER	ALUMINUM	CLOSED	907114	TA7315CEC CLOSED END COVER ASSY
TAI	7	ALL	END COVER	ALUMINUM	SPLIT	907115	TA7315SEC SPLIT END COVER ASSY
TAI	8	ALL	END COVER	ABS	CLOSED	908142	TA8407 ABS CLOSED END COVER ASSY
TAI	8	ALL	END COVER	ABS	SPLIT	908143	TA8407 ABS SPLIT END COVER ASSY
TAI	8	ALL	END COVER	ALUMINUM	CLOSED	908114	TA8407CEC CLOSED END COVER ASSY
TAI	8	ALL	END COVER	ALUMINUM	SPLIT	908115	TA8407SEC SPLIT END COVER ASSY
TAI	9	ALL	END COVER	ABS	CLOSED	909142	TA9415 ABS CLOSED END COVER ASSY
TAI	9	ALL	END COVER	ABS	SPLIT	909143	TA9415 ABS SPLIT END COVER ASSY
TAI	9	ALL	END COVER	ALUMINUM	CLOSED	909114	TA9415CEC CLOSED END COVER ASSY
TAI	9	ALL	END COVER	ALUMINUM	SPLIT	909115	TA9415SEC SPLIT END COVER ASSY
TAI	10	ALL	END COVER	ABS	CLOSED	910142	TA10507 ABS CLOSED END COVER ASSY
TAI	10	ALL	END COVER	ABS	SPLIT	910143	TA10507 ABS SPLIT END COVER ASSY
TAI	10	ALL	END COVER	ALUMINUM	CLOSED	910114	TA10507CEC CLOSED END COVER ASSY
TAI	10	ALL	END COVER	ALUMINUM	SPLIT	910115	TA10507SEC SPLIT END COVER ASSY
TAI	12	ALL	END COVER	ABS	CLOSED	912142	TA12608 ABS CLOSED END COVER ASSY
TAI	12	ALL	END COVER	ABS	SPLIT	912143	TA10507 ABS SPLIT END COVER ASSY
TAI	12	ALL	END COVER	ALUMINUM	CLOSED	912114	TA12608CEC CLOSED END COVER ASSY
TAI	12	ALL	END COVER	ALUMINUM	SPLIT	912115	TA12608SEC SPLIT END COVER ASSY



ABS



Aluminum

TORQUE-ARM SHAFT END COVERS

TXT Shaft End Covers

TYPE	REDUCER CASE SIZE	RATIO	PRODUCT TYPE	END COVER MATERIAL	END COVER TYPE	MATERIAL	MATERIAL DESCRIPTION
TXT	1	ALL	END COVER	ALUMINUM	CLOSED	246601	TXT1 SS CLS AUX COVER ASSY
TXT	1	5	END COVER	ALUMINUM	SPLIT	246613	TXT105 BS SPLT AUX COVER ASSY
TXT	1	ALL	END COVER	ALUMINUM	SPLIT	246603	TXT1 BS SPLT AUX COVER ASSY
TXT	2	ALL	END COVER	ALUMINUM	CLOSED	246604	TXT2 SS CLS AUX COVER ASSY
TXT	2	5	END COVER	ALUMINUM	SPLIT	246614	TXT205 BS SPLT AUX COVER ASSY
TXT	2	ALL	END COVER	ALUMINUM	SPLIT	246606	TXT2 BS SPLT AUX COVER ASSY
TXT	3	ALL	END COVER	ALUMINUM	CLOSED	246607	TXT3A SS CLS AUX COVER ASSY
TXT	3	ALL	END COVER	ALUMINUM	SPLIT	246609	TXT3A BS SPL AUX COVER ASSY
TXT	3	5	END COVER	ALUMINUM	SPLIT	246615	TXT305 BS SPLT AUX COVER ASSY
TXT	4	ALL	END COVER	ALUMINUM	CLOSED	246610	TXT4A SS CLS AUX COVER ASSY
TXT	4	ALL	END COVER	ALUMINUM	SPLIT	246612	TXT4A BS SPL AXU COVER ASSY
TXT	5	ALL	END COVER	ALUMINUM	CLOSED	246616	TXT5B SS CLS AUX COVER ASSY
TXT	5	ALL	END COVER	ALUMINUM	SPLIT	246618	TXT5B BS SPL AUX COVER ASSY
TXT	6	ALL	END COVER	ALUMINUM	CLOSED	246619	TXT6 SS CLS AUX COVER ASSY
TXT	6	ALL	END COVER	ALUMINUM	SPLIT	246621	TXT6 BS SPLT AUX COVER ASSY
TXT	7	ALL	END COVER	ALUMINUM	CLOSED	246622	TXT7 SS CLS AUX COVER ASSY
TXT	7	ALL	END COVER	ALUMINUM	SPLIT	246624	TXT7 BS SPLT AUX COVER ASSY
TXT	8	ALL	END COVER	ALUMINUM	CLOSED	246625	TXT8 SS CLS AUX COVER ASSY
TXT	8	ALL	END COVER	ALUMINUM	SPLIT	246627	TXT8 BS SPLT AUX COVER ASSY
TXT	9	ALL	END COVER	ALUMINUM	CLOSED	246628	TXT9 SS CLS AUX COVER ASSY
TXT	9	ALL	END COVER	ALUMINUM	SPLIT	246630	TXT9 BS SPLT AUX COVER ASSY
TXT	10	ALL	END COVER	ALUMINUM	CLOSED	246631	TXT10 SS CLS AUX COVER ASSY
TXT	10	ALL	END COVER	ALUMINUM	SPLIT	246633	TXT10 BS SPLT AUX COVER ASSY
TXT	12	ALL	END COVER	ALUMINUM	CLOSED	246634	TXT12 SS CLS AUX COVER ASSY
TXT	12	ALL	END COVER	ALUMINUM	SPLIT	246636	TXT12 BS SPLT AUX COVER ASSY



Aluminum

MAGNAGEAR SHAFT END COVERS

Inside and Outside End Covers

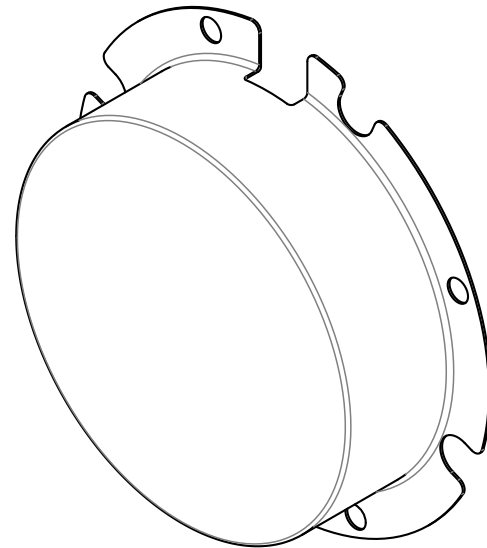
COVER SELECTION GUIDE

MAGNAGEAR FAMILY	MAX TWIN-TAPERED BUSHING BORE	INSIDE COVER	OUTSIDE COVER
G100HRH	3-7/16"	964555	964553
G150HRH	4-7/16"	964544	964542
G210HRH	4-15/16"	964339	964337
G285HRH	6"	964335	964333
G390HRH	7"	963989	963988

COVER PARTS LIST

PART NUMBER	PART DESCRIPTION
	INSIDE COVER ASSEMBLY
964555	100K HB OP CVR ASSY - OPN
964544	150K HB OP CVR ASSY - OPN
964339	210K HB OP CVR ASSY - OPN
964335	285K HB OP CVR ASSY - OPN
963989	390K HB OP CVR ASSY - OPN

PART NUMBER	PART DESCRIPTION
	OUTSIDE COVER ASSEMBLY
964553	100K HB OP CVR ASSY - SLD
964542	150K HB OP CVR ASSY - SLD
964337	210K HB OP CVR ASSY - SLD
964333	285K HB OP CVR ASSY - SLD
963988	390K HB OP CVR ASSY - SLD



QUANTIS® SHAFT END COVERS

Solid and Split Covers

FOR RHB VERSIONS:

- The covers for sizes 38-108 are made from a durable plastic material and are resistant to most cleaning chemicals in the food industry.
- The covers for sizes 128-168 are made of sheet steel.
- The covers fit both footed (BB) and flanged (BF) housing types.
- The covers will fit RHB reducers equipped with twin tapered bushings, keyless bushings, and straight hollow shafts.
- The covers are NOT water tight but are designed to allow materials to be flushed from inside of the covers through the drain holes.
- Kits include one cover and corrosion resistant hardware.
- The open covers are split and can be installed after the reducer is mounted onto the driven shaft.

FOR MSM VERSIONS/AS ABOVE - PLUS:

- The covers will not fit the reducers on the motor side.
- The covers will fit MSM reducers equipped with twin tapered bushings, keyless bushings, and straight hollow shafts.



QUANTIS® SHAFT END COVERS

Solid and Split Covers

COVER SIZING GUIDE

PROTECTIVE COVER - RHB		
REDUCER SIZE	CLOSED COVER KIT PART	OPEN COVER KIT PART
38	095144	095143
48	095146	095145
68	095148	095147
88	095150	095149
108	095152	095151
128	094111	094110
148	094113	094112
168	094115	094812

COVER SIZING GUIDE

PROTECTIVE COVER - MSM	
REDUCER SIZE	OPEN COVER KIT PART
38	095143
48	095145
68	095147
88	095149
108	095151
128	094110
148	094112
168	094812



QUANTIS® SHAFT END COVERS

Solid and Split Covers

COVER PARTS LIST

PART NUMBER	PART DESCRIPTION
095143	RHB/MSM 38 PLASTIC SAFETY CVR KIT SPLIT
095144	RHB 38 PLASTIC SAFETY COVER KIT SOLID
095145	RHB/MSM 48 PLASTIC SAFETY CVR KIT SPLIT
095146	RHB 48 PLASTIC SAFETY COVER KIT SOLID
095147	RHB/MSM 68 PLASTIC SAFETY CVR KIT SPLIT
095148	RHB 68 PLASTIC SAFETY COVER KIT SOLID
095149	RHB/MSM 88 PLASTIC SAFETY CVR KIT SPLIT
095150	RHB 88 PLASTIC SAFETY COVER KIT SOLID
095151	RHB/MSM 108 PLASTIC SAFETY CVR KIT SPLIT
095152	RHB 108 PLASTIC SAFETY COVER KIT SOLID
094110	RHB/MSM 128 METAL SAFETY CVR KIT SPLIT
094111	RHB 128 METAL SAFETY COVER KIT SOLID
094112	RHB/MSM 148 METAL SAFETY CVR KIT SPLIT
094113	RHB 148 METAL SAFETY COVER KIT SOLID
094812	RHB/MSM 168 METAL SAFETY CVR KIT SPLIT
094115	RHB 168 METAL SAFETY COVER KIT SOLID



TIGEAR®-2 HOLLOW OUTPUT COVERS

Safety Cover Kits

Safety cover kits are available to enclose the rotating shaft on hollow output reducers. The kits are designed to fit reducers equipped with Grip Tight® or straight-bore bushings, or reducers equipped with the standard straight-bore hollow output shaft. The covers are made from a water resistant polymer and include stainless steel fasteners for mild washdown applications. The covers are not water tight and it is possible for solid material to collect near the covers.

CASE SIZE	COVER STYLE	STANDARD & E-Z KLEEN® KIT NUMBER	ULTRA KLEEN® KIT NUMBER
17	CLOSED	17CLSDCOVER	SS17CLSDCOVER
17	OPEN	17OPENCOVER	SS17OPENCOVER
20	CLOSED	20CLSDCOVER	SS20CLSDCOVER
20	OPEN	20OPENCOVER	SS20OPENCOVER
23	CLOSED	23CLSDCOVER	SS23CLSDCOVER
23	OPEN	23OPENCOVER	SS23OPENCOVER
26	CLOSED	26CLSDCOVER	SS26CLSDCOVER
26	OPEN	26OPENCOVER	SS26OPENCOVER
30	CLOSED	30CLSDCOVER	SS30CLSDCOVER
30	OPEN	30OPENCOVER	SS30OPENCOVER
35	CLOSED	35CLSDCOVER	NOT AVAILABLE
35	OPEN	35OPENCOVER	NOT AVAILABLE
40	CLOSED	40CLSDCOVER	NOT AVAILABLE
40	OPEN	40OPENCOVER	NOT AVAILABLE

MISSION

Our mission is to be the best (as determined by our customers)
marketers, designers and manufacturers of industrial electric motors,
drives and mechanical power transmission products

Taking care of our customers safely



P.O. Box 2400, Fort Smith, AR 72902-2400 U.S.A., Ph: (1) 479.646.4711, Fax (1) 479.648.5792, International Fax (1) 479.648.5895

Baldor•Dodge®

6040 Ponders Court, Greenville, SC 29615-4617 U.S.A., Ph: (1) 864.297.4800, Fax: (1) 864.281.2433

www.baldor.com