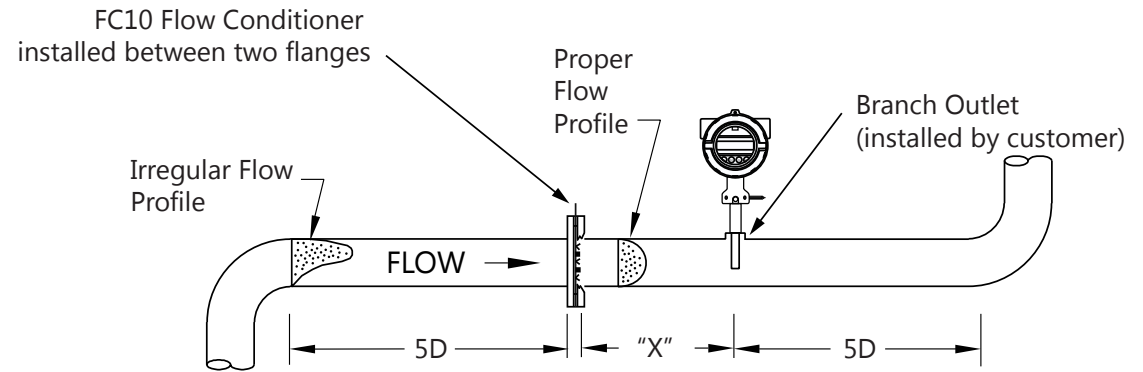
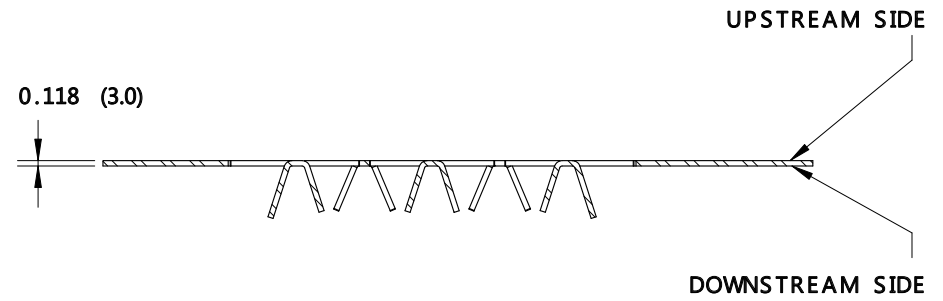
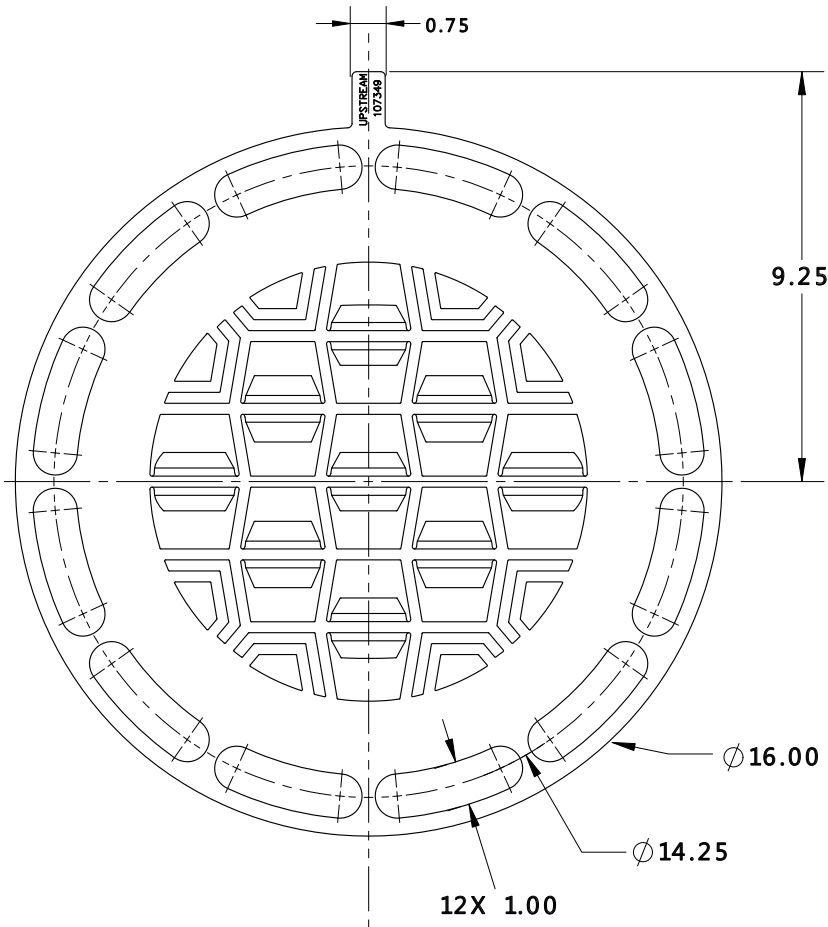


Model FC10 Flow Conditioner Dimensional Drawing

10.0" FC10 Flow Conditioner



Model FC10 Dimensions

Part Number	Size	"X" Inch (mm)	5D Min. Up/Downstream Inch (mm)
107349	10.00"	20 (508)	50 (1270)



399 Reservation Rd
Marina, CA 93933 USA
(831) 384-4300
www.foxthermal.com