



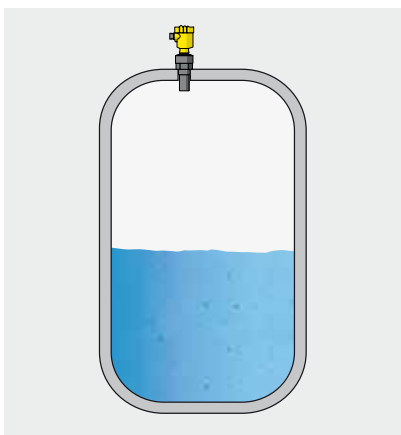
Ultrasonic

58 Overview VEGASON

60 VEGASON 61, 62, 63



Overview VEGASON

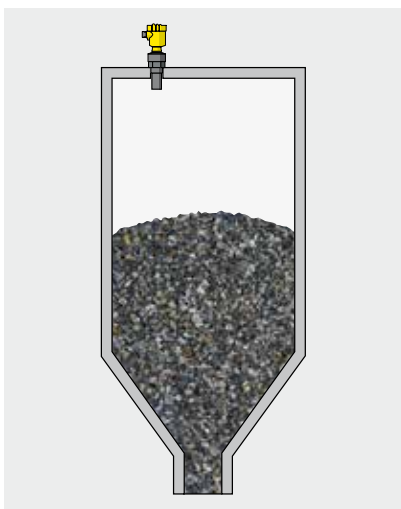


Area of application

The ultrasonic sensors of the VEGASON series are suitable for non-contact level measurement of liquids and bulk solids in simple applications with stable measuring conditions. Typical applications with liquids are storage tanks and open basins. Bulk solids applications usually involve level measurement in open containers and small vessels.

Measuring principle

VEGASON sends short ultrasonic pulses in the direction of the measured medium. These pulses are reflected by the material surface and then received by the sensor. The instrument calculates the level from the running time of the sound wave and the entered tank height.



Advantages

The compact design allows for easy installation of the sensor. Since the properties of the medium do not affect the level measurement, setup and commissioning can be carried out without medium. The low-cost, non-contact measuring method allows wear and maintenance-free operation.

	VEGASON 61	VEGASON 62	VEGASON 63
			
Application	Liquids and bulk solids in small vessels	Liquids and bulk solids in small vessels	Liquids and bulk solids in all industries
Measuring range	Liquids: 0.25 ... 5 m Bulk solids: 0.25 ... 2 m	Liquids: 0.4 ... 8 m Bulk solids: 0.4 ... 3.5 m	Liquids: 0.6 ... 15 m Bulk solids: 0.6 ... 7 m
Transducer	of PVDF	of PVDF	of UP, 316L, PPH
Process fitting	Thread G1½, 1½ NPT	Thread G2, 2 NPT	Compression flange DN 100, mounting strap
Process temperature	-40 ... +80 °C	-40 ... +80 °C	-40 ... +80 °C
Process pressure	-0.2 ... +2 bar (-20 ... +200 kPa)	-0.2 ... +2 bar (-20 ... +200 kPa)	-0.2 ... +1 bar (-20 ... +100 kPa)
Accuracy	±10 mm	±10 mm	±10 mm
Signal output	4 ... 20 mA/HART, Profibus PA, Foundation Fieldbus	4 ... 20 mA/HART, Profibus PA, Foundation Fieldbus	4 ... 20 mA/HART, Profibus PA, Foundation Fieldbus
Display/Adjustment	PLICSCOM, PACTware, VEGADIS 81, VEGADIS 82	PLICSCOM, PACTware, VEGADIS 81, VEGADIS 82	PLICSCOM, PACTware, VEGADIS 81, VEGADIS 82
Approvals	ATEX, IEC, FM, CSA, GOST, Ship, SIL2	ATEX, IEC, FM, CSA, GOST, Ship, SIL2	Ship, SIL2

VEGASON 61

Ultrasonic sensor for continuous level measurement

Application area

The VEGASON 61 is an ultrasonic sensor for continuous level measurement of liquids or bulk solids. Typical applications are the measurement of liquids in storage tanks or open basins. The sensor is also suitable for the detection of bulk solids in small vessels or open containers. The non-contact measuring principle is independent of product features and allows a setup without medium.

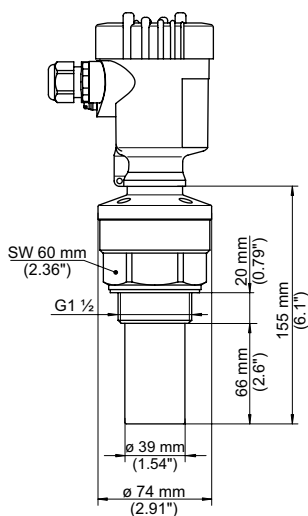
Your benefit

- Maintenance-free operation through non-contact measuring principle
- Reliable measurement independent of product features
- Price-favourable solution for simple applications

Technical data

Measuring range:	in liquids: 0.25 ... 5 m in bulk solids: 0.25 ... 2 m
Process fitting:	thread G1½, 1½ NPT
Process temperature:	-40 ... +80 °C
Process pressure:	-0.2 ... +2 bar (-20 ... +200 kPa)
Accuracy:	±10 mm
SIL qualification:	optionally up to SIL2

Delivery time:  **SPEED**



Beam angle 11°

Instrument documentation and drawings:

www.vega.com/downloads

Mounting accessories, welded sockets and housing overview:

Chapter Accessory

Approval

- XX** without
- XM** Ship approval
- CX** ATEX II 1G, 1/2G, 2G Ex ia IIC T6
- CM** ATEX II 1G, 1/2G, 2G Ex ia IIC T6 + Ship approval
- CI** IEC Ex ia IIC T6

Version / Process temperature

- A** Seal EPDM / -40...+80°C
- B** Seal FKM (Viton) / -20...+80°C

Process fitting / Material

- G** Thread G1½ PN2, DIN3852-A-B / PVDF
- N** Thread 1½NPT PN2, ASME B1.20.1 / PVDF
- A** Clamp 2" DN50 PN2 (ø64mm) DIN32676, ISO2852 / 316L
- B** Clamp 3" DN65 PN2 (ø91mm) DIN32676, ISO2852 / 316L
- C** Clamp 3½" DN80 PN2 (ø106mm) DIN32676, ISO2852 / 316L
- D** Clamp 4" DN100 PN2 (ø119mm) DIN32676, ISO2852 / 316L
- J** Slotted nut 2", DN50 PN2, DIN11851 / 316L
- K** Slotted nut 3", PN2, DIN11851 / 316L
- L** Slotted nut DN80 PN2, DIN11851 / 316L
- M** Slotted nut 4", DN100 PN2, DIN11851 / 316L

Electronics

- H** Two-wire 4...20mA/HART®
- V** Four wire 4...20mA/HART®
- P** Two-wire Profibus PA
- F** Two-wire Foundation Fieldbus

Housing / Protection

- K** Plastic single chamber / IP66/IP67
- R** Plastic double chamber / IP66/IP67
- A** Aluminum single chamber / IP66/IP68 (0.2 bar)
- D** Aluminium double chamber / IP66/IP68 (0.2bar)
- 8** Stainless steel single chamber (electropolished) / IP66/IP68 (0.2 bar)
- W** Stainless steel double chamber / IP66/IP68 (0.2 bar)

Cable entry / Plug connection

- M** M20x1.5 / without
- N** ½NPT / without

Display/adjustment module PLICSCOM

- X** without
- A** Mounted

Additional equipment

- X** Without

SN61.									
-------	--	--	--	--	--	--	--	--	--

VEGASON 62

Ultrasonic sensor for continuous level measurement

Application area

The VEGASON 62 is an ultrasonic sensor for continuous level measurement of liquids and bulk solids. Typical applications are the measurement of liquids in storage vessels or open basins. The sensor is also suitable for the detection of bulk solids in small vessels or silos. Application areas can be found in all industries. The non-contact measuring principle is unaffected by product features and allows a setup without medium.

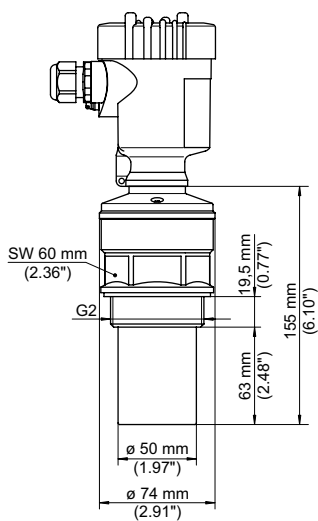
Your benefit

- Maintenance-free operation through non-contact measuring principle
- Reliable measurement independent of product features
- Price-favourable solution for simple applications

Technical data

Measuring range:	in liquids: 0.4 ... 8 m in bulk solids: 0.4 ... 3.5 m
Process fitting:	thread G2, 2 NPT
Process temperature:	-40 ... +80 °C
Process pressure:	-0.2 ... +2 bar (-20 ... +200 kPa)
Accuracy:	±10 mm
SIL qualification:	optionally up to SIL2

Delivery time:  **SPEED**



Beam angle 11°

Instrument documentation and drawings:

www.vega.com/downloads

Mounting accessories, welded sockets and housing overview:

Chapter Accessory

VEGASON 63

Ultrasonic sensor for continuous level measurement

Application area

The VEGASON 63 is an ultrasonic sensor for continuous level measurement of liquids and bulk solids. Typical applications are the measurement of liquids in storage tanks and open basins. The sensor is suitable for continuous level measurement of bulk solids in small up to average-size vessels. The non-contact measuring principle is independent of product features and allows a setup without medium.

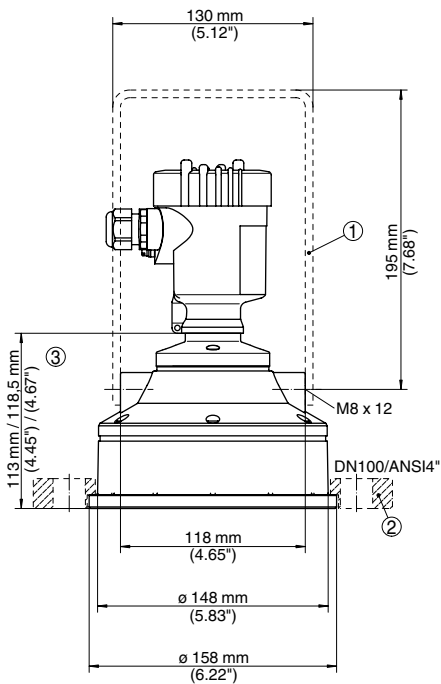
Your benefit

- Maintenance-free operation through non-contact measuring principle
- Reliable measurement, independent of product features
- Proven measurement technology for standard applications

Technical data

Measuring range:	in liquids: 0.6 ... 15 m in bulk solids: 0.6 ... 7 m
Process fitting:	compression flange DN 100 mounting strap
Process temperature:	-40 ... +80 °C
Process pressure:	-0.2 ... +1 bar (-20 ... +100 kPa)
Accuracy:	±10 mm
SIL qualification:	optionally up to SIL2

Delivery time:  **SPEED**



- ① Mounting strap
- ② Compression flange
- ③ Dimension for Aluminium housing/adaptor

Beam angle 6°

Instrument documentation and drawings:

www.vega.com/downloads

Mounting accessories, welded sockets and housing overview:
Chapter Accessory

Approval

XX without

XM Ship approval

Version / Process temperature

A Seal EPDM / -40...+80°C

Process fitting / Material

X without

A Compression flange suitable for flange DN100 PN16 / PPH

B Compression flange suitable for flange DN100 PN16 / 316L

C Mounting strap / Stainless steel (1.4301)

D Compression flange suitable for flange 4" 150lb, ASME / PPH

E Compression flange suitable for flange 4" 150lb, ASME / 316L

F Compression flange suitable for flange DN100 10K, JIS / PPH

G Compression flange suitable for flange DN100 10K, JIS / 316L

Electronics

H Two-wire 4...20mA/HART®

V Four wire 4...20mA/HART®

P Two-wire Profibus PA

F Two-wire Foundation Fieldbus

Housing / Protection

K Plastic single chamber / IP66/IP67

R Plastic double chamber / IP66/IP67

A Aluminum single chamber / IP66/IP68 (0.2 bar)

D Aluminium double chamber / IP66/IP68 (0.2bar)

8 Stainless steel single chamber (electropolished) / IP66/IP68 (0.2 bar)

Cable entry / Plug connection

M M20x1.5 / without

N ½NPT / without

Display/adjustment module PLICSCOM

X without

A Mounted

Additional equipment

X Without

SN63.									
-------	--	--	--	--	--	--	--	--	--

